



FLOAT CAT
STRIPPING APRON
ASSEMBLY AND OPERATIONS MANUAL

Hobie Float Cat Stripping Apron Assembly

(SEE ALSO: Large Diagrams Pg. 4)

Stripping Apron Parts List

Frame Rods:

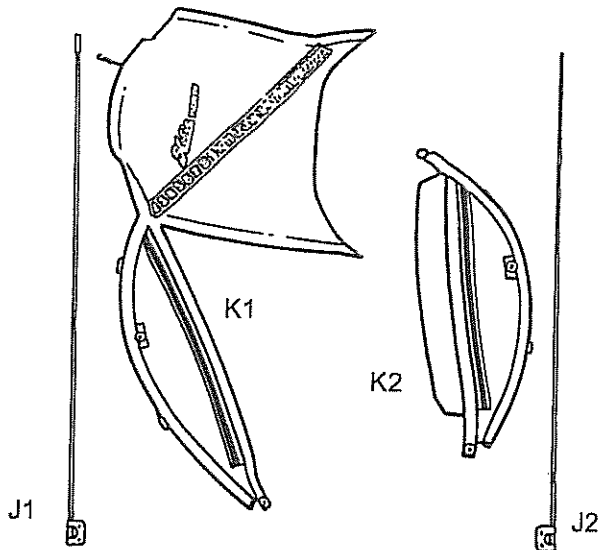
- J-1 fiberglass rod with hinge and ferrule
- J-2 fiberglass rod with hinge and plain tip

Apron:

- K-1 nylon storage bag with plastic hook and mesh
- K-2 nylon storage bag with D ring
- L two 7" aluminum apron support posts with molded plastic C clamps

Hardware:

- M four clevis pins with split rings
- N two washers
- O two eyebolts with nuts
- P two Phillips head screws
- Q two metal apron clips



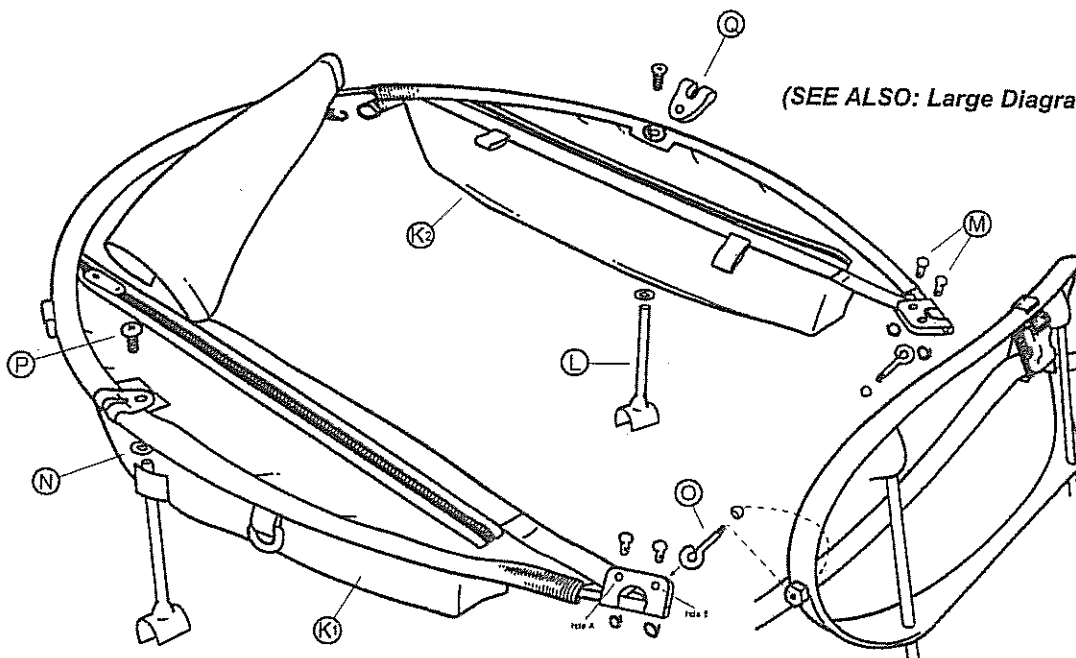
Required tools: One large slot head screwdriver, one medium Phillips head screw driver
NOTE: Right and left references assumes a seated position facing aft.

Stripping Apron Assembly Instructions

STEP 1- Insert eyebolts (O) from outside seatback, through white nylon bushings located on either side of seatback. Secure each with nuts. Eyebolts will spin freely in bushings.

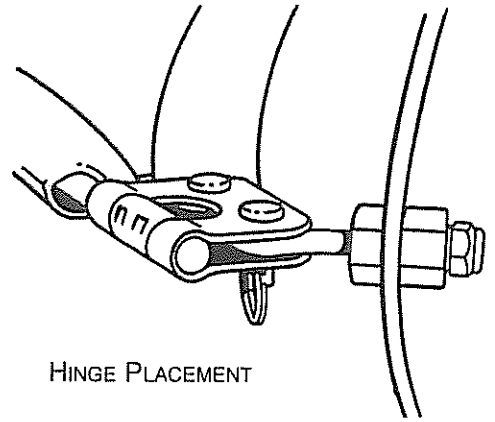
STEP 2- Locate K1 and K2 and separate by undoing all Velcro edges and unhooking black plastic hook on K1 from D ring on K2.

STEP 3- With Velcro edges completely unattached and bag facing zipper up, grasp K1 by grommated tab and insert ferrule end of J1 into the webbing sleeve along the curved edge of K1, bending rod as needed. Slide rod through sleeve until grommated tab can be inserted into hinge and lined up with the first hole (hole A) of hinge. Secure with clevis pin and split ring. Repeat procedure with K2 and J2.



(SEE ALSO: Large Diagrams Pg. 4)

STEP 4- Grasp K1 with zipper facing up and insert eyebolt on left side of seatback into hinge and align with hole B. Secure eyebolt to hinge with clevis pin and split ring. Repeat procedure with K2, securing hinge to eyebolt on right side of seatback with clevis pin and split ring.



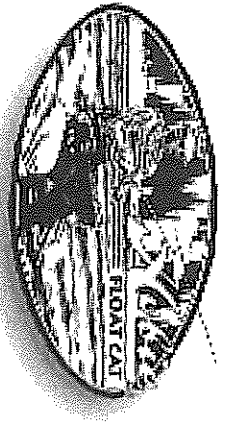
STEP 5- Seated between apron rods J1 and J2 and with Velcro separated, pull webbing sleeves back along each rod enough to expose the ends. Grasp exposed rods near ends, pull the rods towards you, and insert J2 into the J1 connecting ferrule as far as it will go.

STEP 6- Remain seated. Reach back to the hinge on each side of the seatback. Wrap your fingers around the webbing sleeve next to each hinge. Slide your hands along the webbing, gently stretching the webbing back over the rods. Locate the connecting hook on K1 and the D ring on K2. Insert hook into D ring. This is a tight fit. Pull mesh over lap and attach all Velcro edges. If edges do not line up satisfactorily, separate edges and remove hook from D ring. Slide hook down its attachment cords as far as possible. Untie stop knots in cords and retie further down. This shortens the hook connector lead. Reconnect the hook onto the D ring. Pull mesh back into position and test Velcro alignment. When satisfactory, separate Velcro edges, flip entire assembly over the head (much like a child's highchair), and exit the Float Cat.

STEP 7- Locate L, P, and Q. Using a large flat head screwdriver, spread the open end of clip (Q) approximately 1/4" further open. Locate grommet near edge of one storage bag. Install clip over edge, aligning hole in clip over grommet and snapping into place. Repeat for other side.

STEP 8- Insert tapped end of apron support post up through webbing tab on side of storage bag. Place washer over exposed screw threads and thread support post onto screw. Align opening in C clamp (on bottom of support post) parallel with crossbar and tighten screw with screwdriver. Snap C clamps onto crossbars where they are exposed in the troughs on top of pontoons.

STEP 9- Apron support posts can be easily released by angling to the left or right and pulling up.



HOBBIE CAT

ASSEMBLY OF APRON

