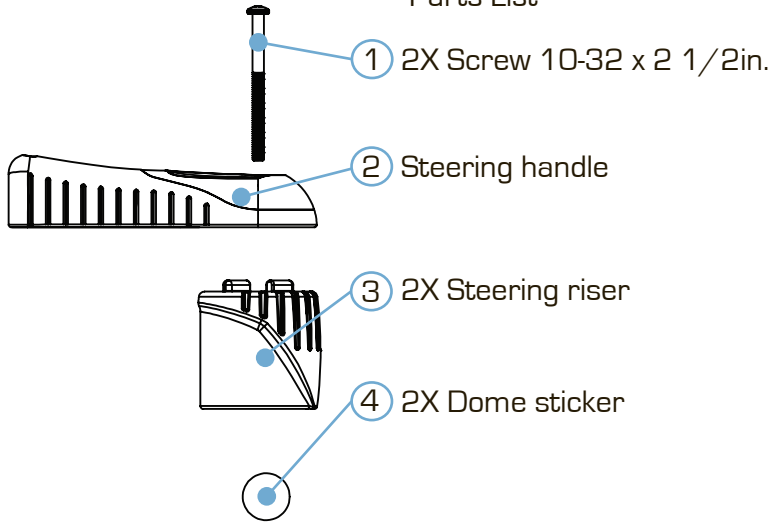


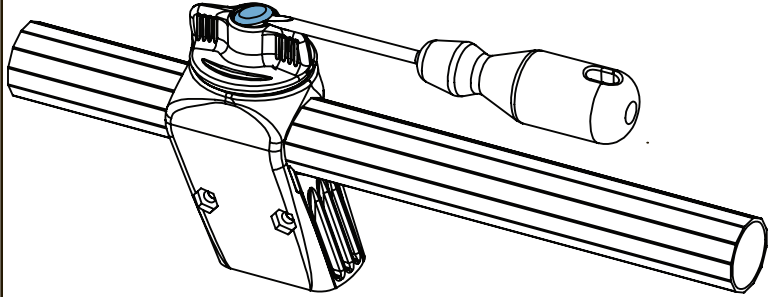
# Pro Angler Steering Update Kit Instructions

## Parts List

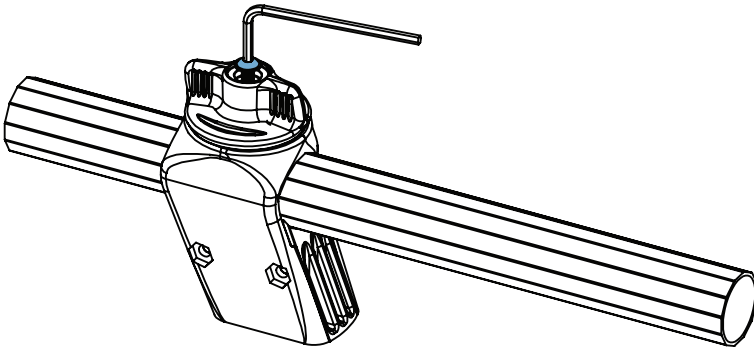


Tools needed:  
Flathead screwdriver  
Phillips® screwdriver  
1/8" Allen® key

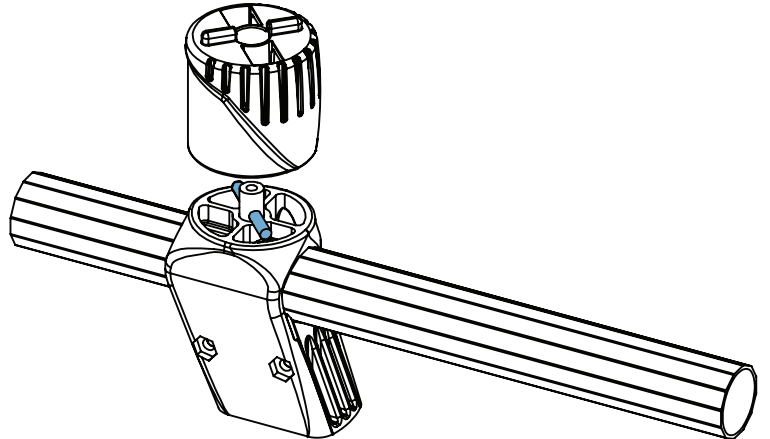
- ① Use a flathead screw driver or utility blade to pry off the Flying H sticker on the secondary steering handle.



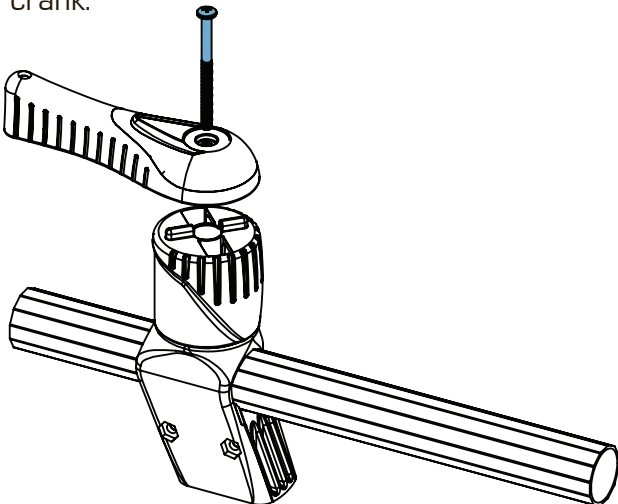
- ② Use an 1/8" Allen key to unthread the screw holding the secondary steering handle to the crank. Remove the handle and set it aside.



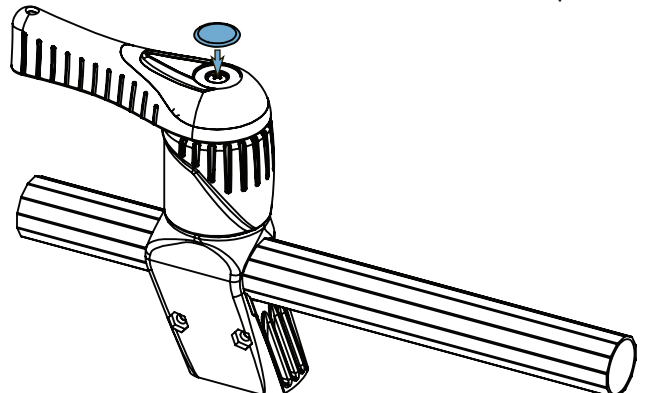
- ③ Mount the steering riser to the steering crank, making sure to align the slot in the bottom of the steering riser with the pin on the steering support.



- ④ Using the 10/32"x2 1/2" screw provided, fasten the steering handle through the riser to the steering crank.



- ⑤ Cover the screw head with one of the Flying H stickers provided.



- ⑥ Using the standard handle, repeat steps 1-5 above to upgrade the steering on the opposite side.

REV 160705  
Part#84506021