



Hobie® Island
Aka Spring Hook
Replacement

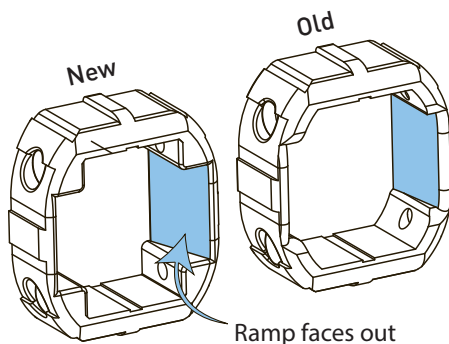
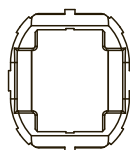
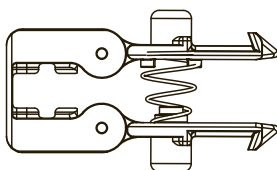
Use these same instructions for all 4 aka clips.

1.

Remove the old "Lock Bearing" by loosening the 4 screws that hold the part to the end of the "Crossbar Casting" on the "Aka Bar".

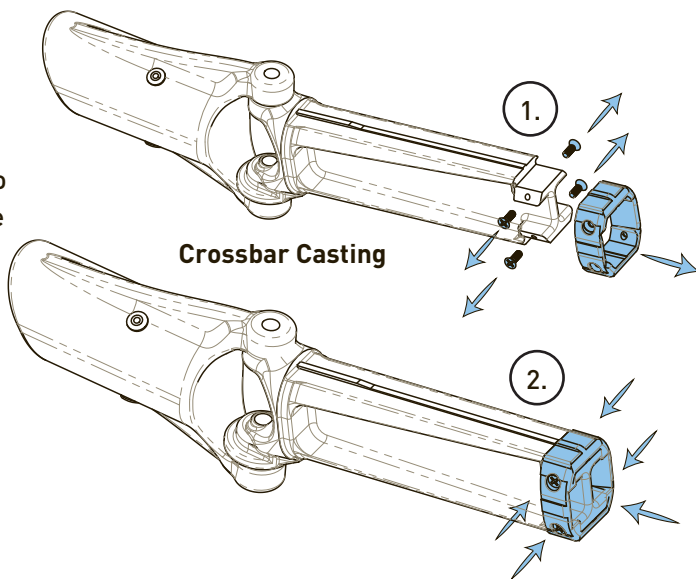
Hinged Spring Hook

Lock Bearing



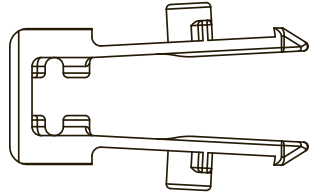
2.

Install the new "Lock Bearing" onto the end of the "Crossbar Castings". Use the existing 4 screws to fasten the part.

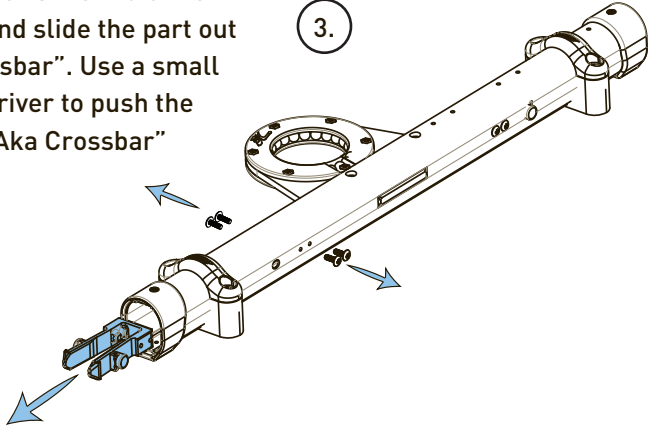


3.

Remove the old "Spring Hook" from the inside of the "Aka Crossbar". Loosen the 4 screws that hold the "Spring Hook" and slide the part out of the "Aka Crossbar". Use a small flathead screwdriver to push the part out of the "Aka Crossbar"

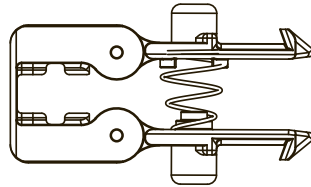


3.

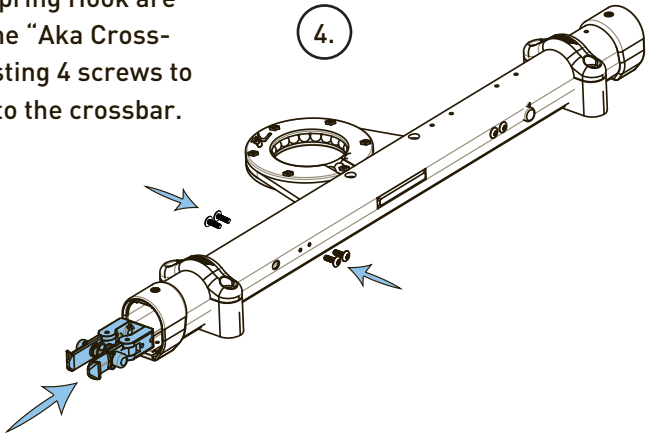


4.

Install the new "Hinged Spring Hook" by pushing the part inside the "Aka Crossbar". Slide the part back until the pinch points of the "Hinged Spring Hook" are pushing out of the "Aka Crossbar". Use the existing 4 screws to secure the part to the crossbar.



4.





Hobie Cat Company

Holding Company

Oceanside, California, USA

1-800-HOBIE-49

Hobie Cat Australasia

Subsidiary

Huskisson, New South Wales, Australia

1-800-4-HOBIE

Hobie Cat Europe

Subsidiary

Toulon, France

+33 (0) 494 08 78 78

Hobie Kayak Europe

Independent Distributor

Stellendam, The Netherlands

+31 (0) 187 499 440

Hobie Cat Brasil

Independent Distributor

Porto Belo, Santa Catarina, Brazil

+55 (21) 3942 6815

Hobie.com

PN 79520604

REV 170608