

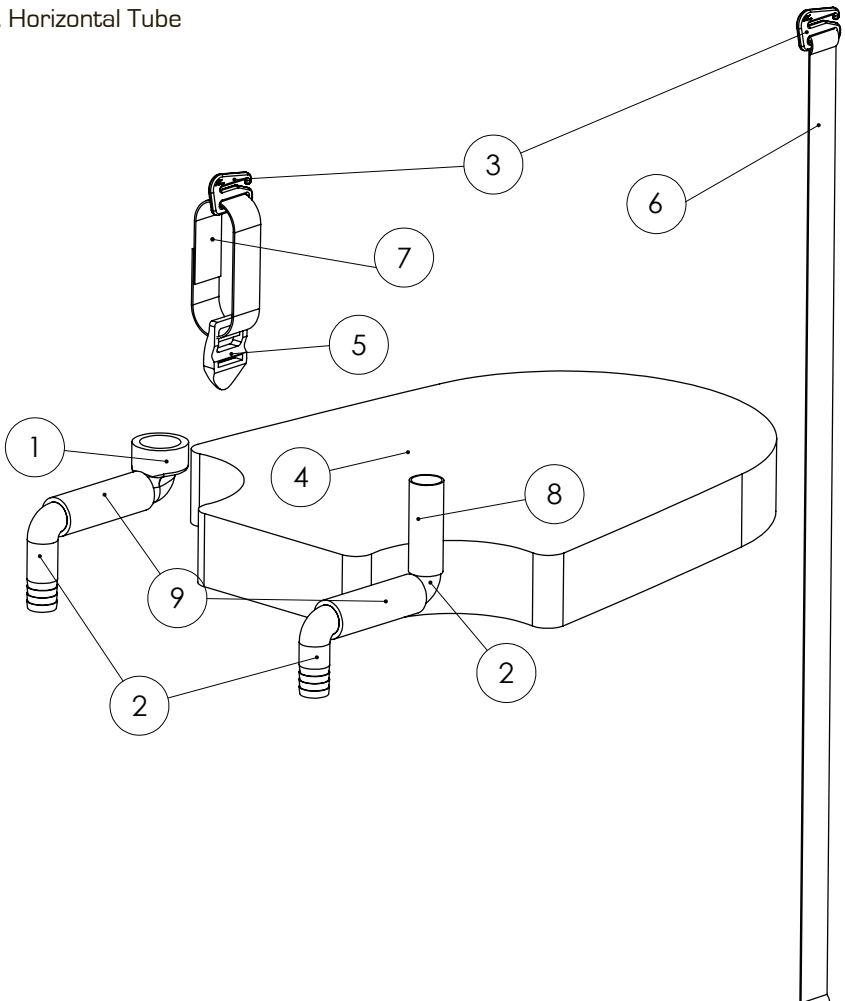
Hobie®
Adventure Island
Livewell Kit



Please read through the instruction manual before using this product.

Livewell Kit Anatomy

- 1. 90 Degree Hose to Barb
- 2. Barbed Elbow
- 3. Webbing Buckle 1" Open Sided
- 4. Foam Base
- 5. Webbing Buckle Ladder Lock
- 6. 37" Webbing Strap
- 7. 4" Webbing Strap
- 8. Downspout Hose
- 9. Horizontal Tube



② Pump Connector & Downspout Hose

1. Unscrew the pump connector lock from Livewell. See FIG 1 & 2.

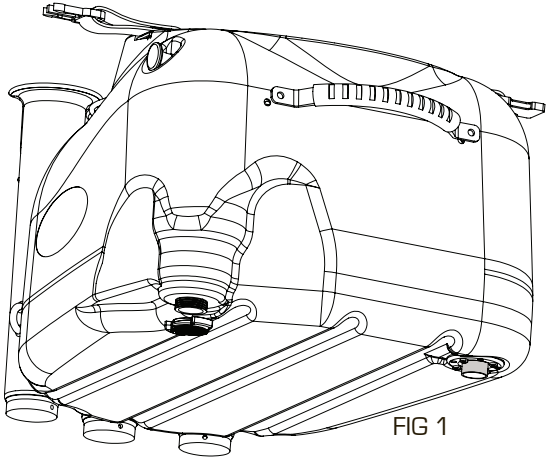


FIG 1

2. Slide the Downspout Hose up into the downspout tube. See FIG 1 & 3.

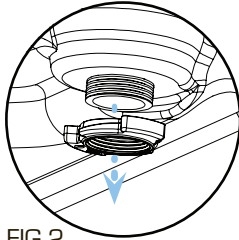


FIG 2

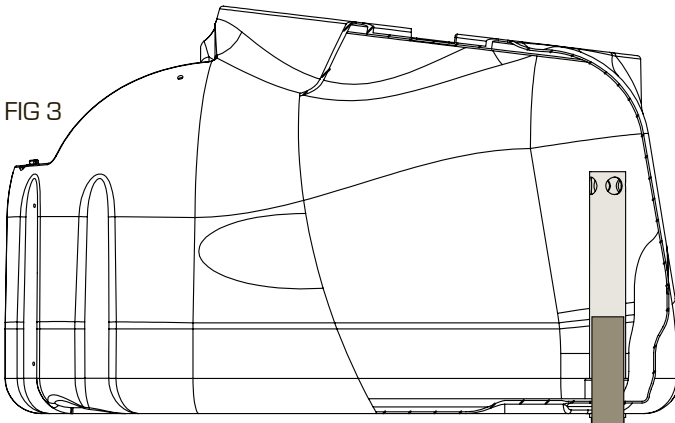
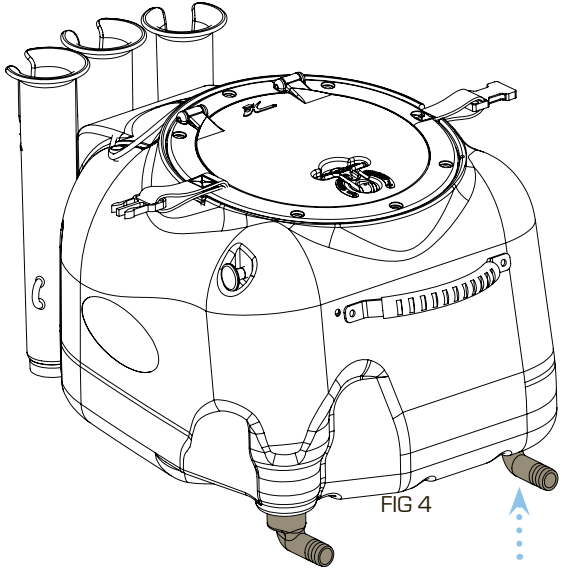


FIG 3

② 90 Degree Hose & Barbed Elbow

1. Thread on the 90 Degree Hose to Barb fitting to the intake pump inside the livewell. See FIG 4.

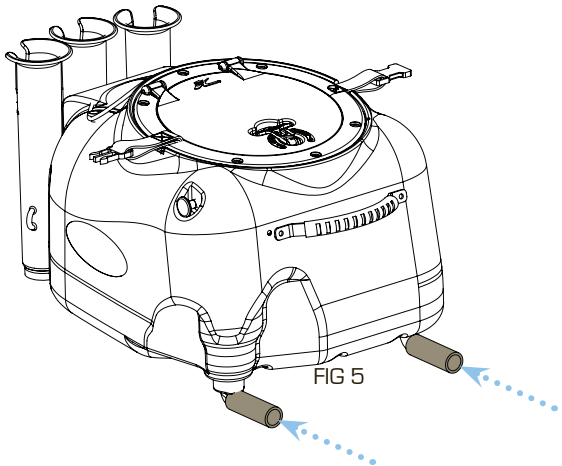
2. Insert one Barbed Elbow into the Downspout Hose. See FIG 4.



③ Horizontal Tube

1. Fit one Horizontal Tube onto the 90 Degree Hose to Barb fitting on the intake side. See FIG 5.

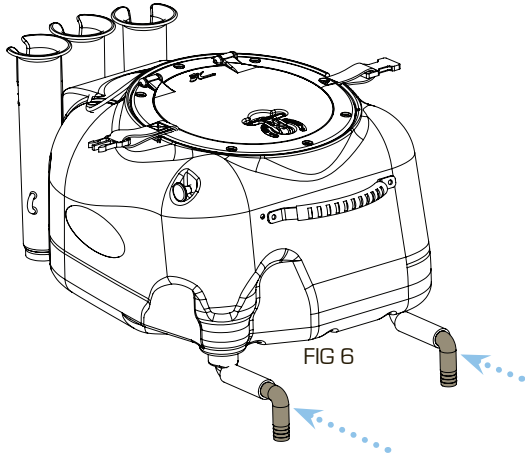
2. Fit the other Horizontal Tube onto the Barbed Elbow on the downspout side. See FIG 5.



④ Barbed Elbow

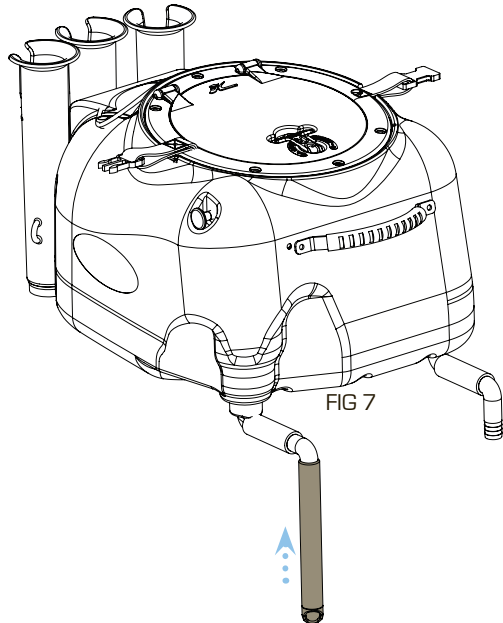
1. Fit one Barbed Elbow into the Horizontal Tube on the intake side. See FIG 6.

2. Fit the other Barbed Elbow into the Horizontal Tube on the downspout side. See FIG 6.



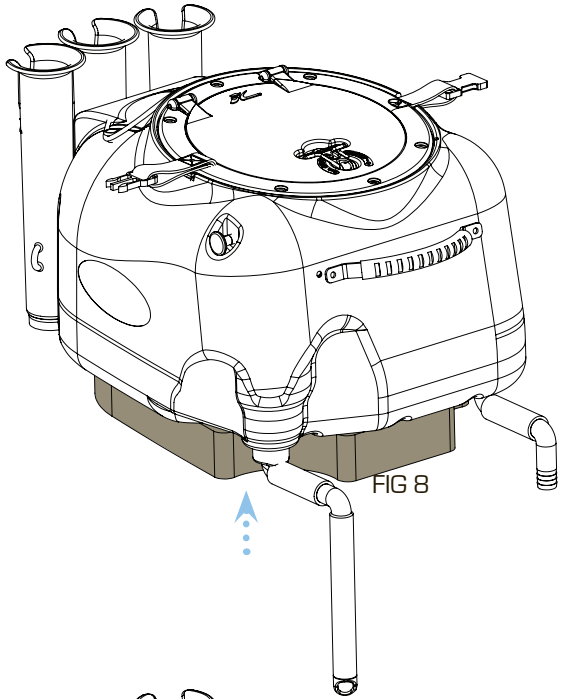
⑤ Intake Tube

1. Fit the intake tube assembly that come with the livewell onto the Barbed Elbow on the intake side. See FIG 7.



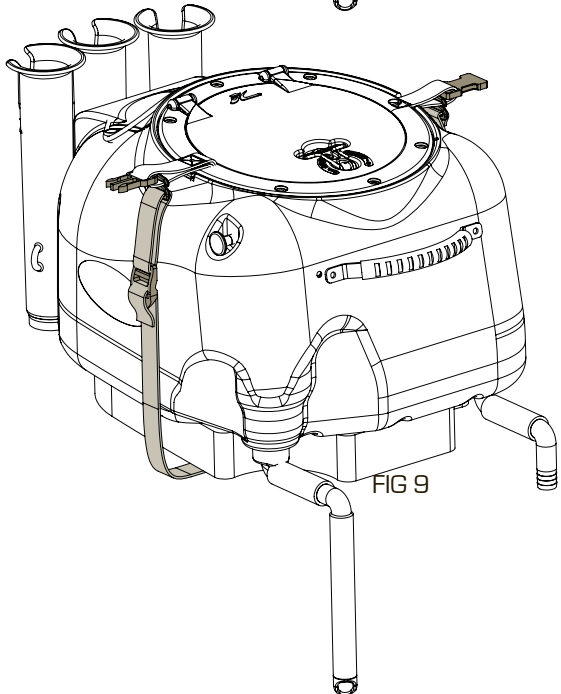
6 Foam Base

1. Place the Foam Base underneath the livewell tank. See FIG 8.



7 Webbing Strap

1. Attach the Webbing Buckle 1" Open Sided on the 37" Webbing Strap and 4" Webbing Strap to the webbing lashing on both sides of the livewell tank hatch. See FIG 9 & 11.

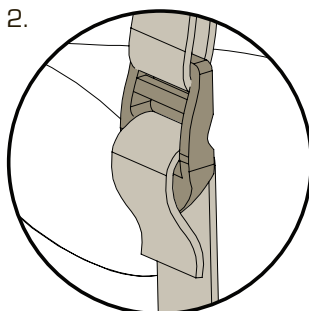
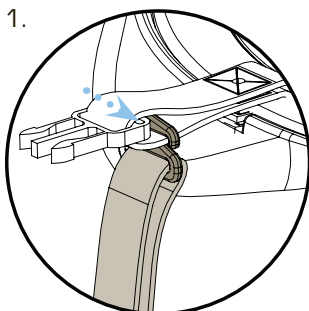
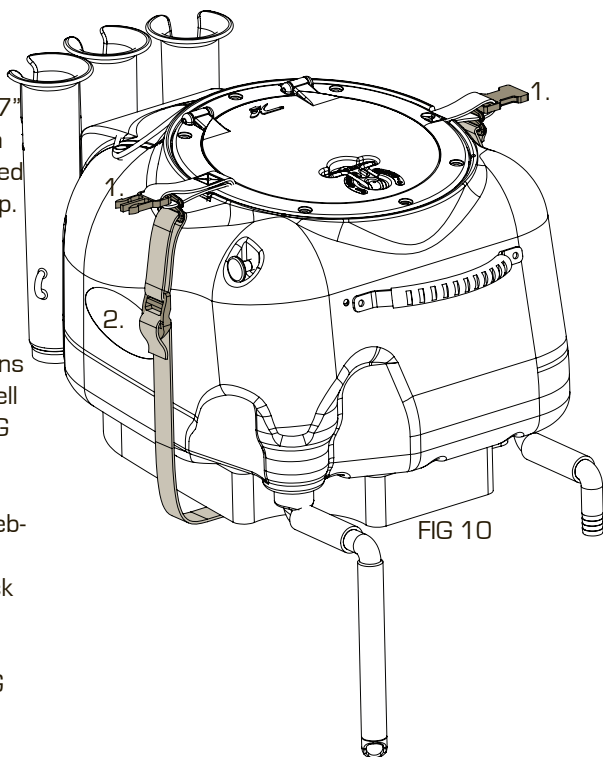


8 Webbing Straps

1. Run the end of the 37" Webbing Strap through the Ladder Lock attached to the 4" Webbing Strap. See FIG 10 & 12.

2. Once the webbing straps are attached, make sure the strap runs evenly around the livewell and Foam Base. See FIG 10.

3. Pull the end of the webbing strap that passes through the Ladder Lock to hold the livewell and Foam Base. **DO NOT OVER TIGHTEN.** See FIG 10 & 12.





Hobie Cat Company
Oceanside, California, USA
1-800-HOBIE-49
hobiecat.com

Hobie Cat Australasia
Huskisson, New South Wales, Australia
1-800-4-HOBIE
hobiecat.com.au

Hobie Cat Europe
Toulon, France
+33(0)494 08 78 78
hobie-cat.net

Hobie Kayak Europe
Stellendam, The Netherlands
+31(0)187 499 440
hobie-kayak.com

Hobie Cat Brazil
Bahia
Brazil
+55 (73) 9982 2424
hobiecat.com.br

PN 72021035
REV 131023