

**Hobie Cat Company**

Holding Company

Oceanside, California, USA

1-800-HOBIE-49

**Hobie Cat Australasia**

Subsidiary

Huskisson, New South Wales, Australia

1-800-4-HOBIE

**Hobie Cat Europe**

Subsidiary

Toulon, France

+33 (0) 494 08 78 78

**Hobie Kayak Europe**

Independent Distributor

Stellendam, The Netherlands

+31 (0) 187 499 440

**Hobie Cat Brasil**

Independent Distributor

Porto Belo, Santa Catarina, Brazil

+55 (21) 3942 6815

Hobie® Mirage Pro Angler  
Cradle Set Installation Tips

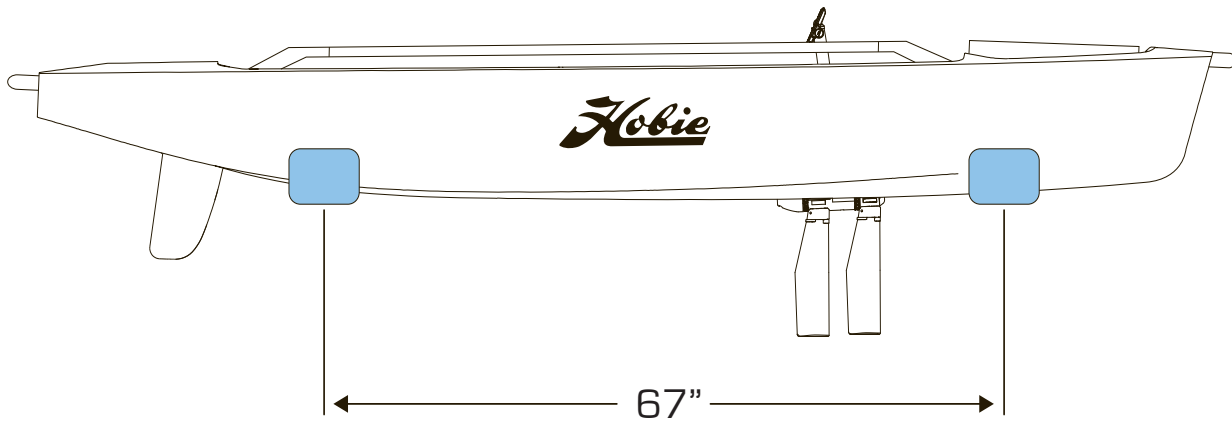


PN 72020401  
REV 190409

[hobie.com](http://hobie.com)

## Step 1: Familiarize yourself with the cradle orientation

There is a front and back direction to each cradle. Your Pro Angler is widest in the middle and tapers at the bow and stern. For this reason, the forward cradle is narrowest at the front, and the rear cradle is narrowest at the back. The rear cradle also has a molded keel recess that is slightly more pronounced as you move toward the stern. Cradles should be spaced approximately 67" apart, on center.



## Step 2: Install the cradles to crossbars.

Use the recommended mounting hardware from your roof rack or trailer manufacturer to mount the cradles to your roof rack, kayak trailer or storage rack. The hardware will mount through the molded recesses in each cradle.

## Step 3: Install the EVA cradle pads.

Once you've mounted your cradles, clean and dry each recess with an alcohol wipe to ensure the adhesive-backed pads can adhere. The single 5.25" x 7.5" pad included with your cradle set will need to be cut in half and have the corners rounded to fit each recess on either side of the keel channel. It's best to trim this pad before removing the paper backing. The rounded corner of another pad serves as a great template for adding radius to the corners of the two half pads you've created. Peel and stick each pad in its intended recess. Enjoy your cradles!

