

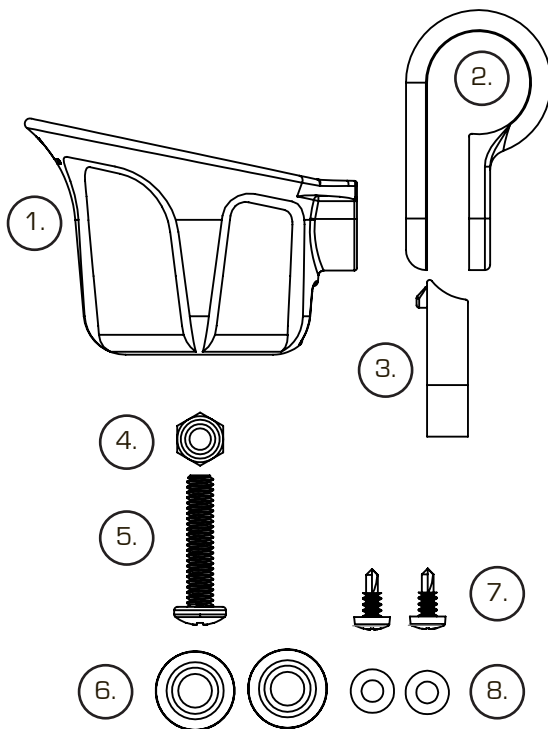
Hobie®  
Fighting Cup  
Instructions



Please read through the instruction manual before using this product.

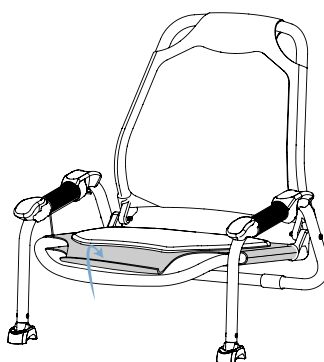
**Components**

- 1. Fighting Cup
- 2. Strap
- 3. Spacer
- 4. Nut
- 5. Screw
- 6. Outer Spacer
- 7. Self Drilling Screw
- 8. Washer



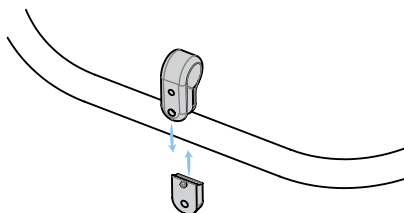
**1.**

To install the fighting cup, loosen the front of the bottom skin mesh.



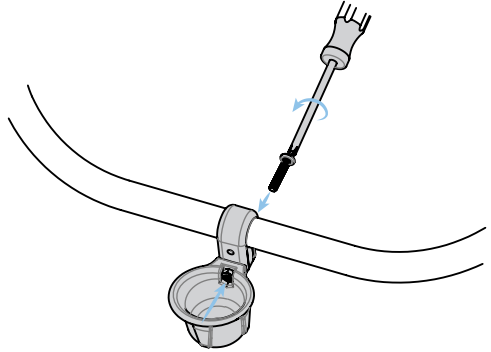
**2.**

Snap strap over the seat bottom frame. Fit spacer into strap.



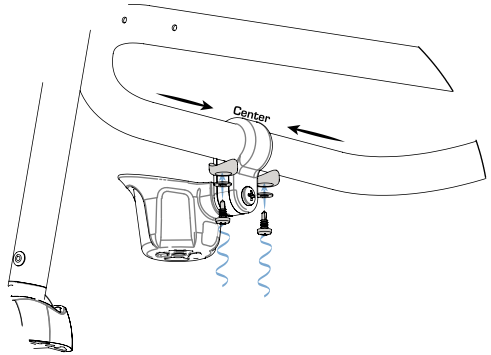
3.

Line up fighting cup with strap and spacer. Insert screw through fighting cup assembly. Thread the nut onto the screw, and tighten with a Phillips head screwdriver.



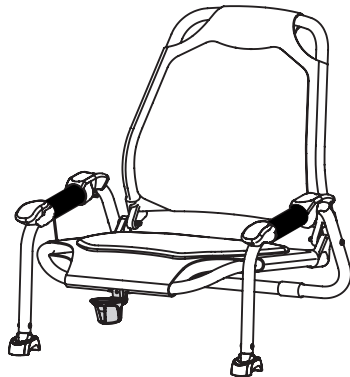
4.

Center assembly on seat bottom frame. Set and mark off the locations for the outer spacers. Using a power screwdriver, tap self drilling screws on marked locations. *The spacers are mounted to the bottom seat frame to keep the fighting cup from sliding sideways on the frame.*



5.

Once assembled, tighten bottom skin mesh. Fighting cup should be able to pivot around seat bottom frame.



Hobie Cat Company  
Oceanside, California, USA  
1-800-HOBIE-49  
hobiecat.com

Hobie Cat Australasia  
Huskisson, New South Wales, Australia  
1-800-4-HOBIE  
hobiecat.com.au

Hobie Cat Europe  
Toulon, France  
+33(0)494 08 78 78  
hobie-cat.net

Hobie Kayak Europe  
Stellendam, The Netherlands  
+31(0)187 499 440  
hobie-kayak.com

Hobie Cat Brazil  
Bahia  
Brazil  
+55 (73) 9982 2424  
hobiecat.com.br



PN 72020066  
REV 130717