

Hobie

MIRAGE ECLIPSE® PARTS & ACCESSORIES



HOBIE MIRAGE ECLIPSE
THROUGH AUGUST 2018





CONTENTS

ITEM	PAGE
LIFE VESTS / PFD	2-3
PET PFD / WATER WEAR / SAFETY	4-5
HOBIE ECLIPSE BEACH CARTS	6
BOARD BAGS / DRIVE BAG / PROTECTION	7
RACK PADS / STRAPS	8
RHINO RACK LOAD ACCESSORIES	9
HANDLEBAR MOUNTS / ACCESSORIES	10
STOW BAGS / FISH ACCESSORIES	11
MAINTENANCE / MISC ACCESSORIES	12-13
APPAREL AND ACCESSORIES	14-17
SUPPORT / HOBIE ECLIPSE PARTS DIAGRAMS	18-19
NUMERICAL PARTS LIST	20-21

Note: Freight to dealers is not included in pricing.
No portion of this catalog may be reproduced without the express permission of the Hobie Cat Company.
All rights reserved. ©2018 Hobie Cat Company. Oceanside, CA 92056
Pricing subject to change. Printed in USA

LIFE VESTS & PFDs



HOBIE THIN-BACK by Stohlquist
 Features a thin foam back design ... perfect for use with Hobie Vantage seats. This thinner back profile provides more mobility and comfort, while reducing interference with taller seat backs.

S6100xx (xx = size) MANGO

FEATURES:

Thin back design works with all seat styles; Graded Sizing provides the best possible fit; Open sides for ventilation; Cross-chest cinch harness for zero ride-up; Mesh shoulders & interior panels for maximum ventilation; Adjustable shoulders, and dual forward pulls for a custom fit; Zippered front pockets offer organization; Built-in beverage holder and neoprene sunglasses sleeve; Entry grip tab at zipper base; #10 YKK zipper with non-corroding slider; Lightweight PE Foam; Type III PFD with sea level buoyancy: MD: 16 lbs, 8oz / LG: 17 lbs / XL: 17 lbs, 8oz

CONSTRUCTION:

- Mini Ripstop nylon outer shell
- 200 denier oxford liner
- USCG approved

SIZING:

MEN'S		WOMEN'S	
SIZE	CHEST	SIZE	CHEST
MD	30" - 40"	SM	28" - 34"
LG	40" - 46"	MD	34" - 40"
XL	46" - 52"	LG	40" - 46"



S6101xx (xx = size) RED



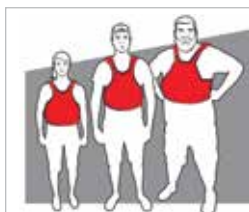
S6102xx (xx = size) GREEN



S6114xx (xx = size) WOMEN'S BLUE



S6110xx (xx = size) WOMEN'S MANGO



GRADED PFD SIZING

Fine tuned for each individual size, and sculpted foam footprint and foam thickness to provide a better fitting, and more comfortable PFD for people of all sizes.



HOBIE MIRAGE PFD

This PFD was designed for Vantage high back seats on Hobie Mirage Kayaks. The flotation in the back is thin for more comfort while seated and helps to prevent the vest from riding up as you pedal. A vent along the spine adds to the comfort. Front zip entry for easy on and off. Large pockets on the front for easy storage and access of small items. High waistline cut so the vest does not ride-up while pedaling. Huge arm cutouts and the short waist allow excellent freedom of movement. Adjustable side straps offer enough size variation for many layers underneath or none! Reflective tapes for visibility during low light conditions. Back logos vary between "H" and Penguin Logo. (xxx = SMD - MLG - LXL) (UL - Approved) for use in USA Only

S6800xxx PFD MIRAGE GRAY

-sizing

SIZE	CHEST
SMD	33" - 39"
LXL	40" - 46"
XXL	48" - 54"



HOBIE EDGE by Stohlquist

An innovative, high mobility, low profile boating vest for kayaking, SUP, and wetsailing.

S6120xxx (xxx = size)

FEATURES:

Ergonomic WRAPTURE™ shaped torso; Adjustable shoulders, 4 side pulls, and front waist buckle closure; Low cut, offset front-zip entry; Large arm openings for unrestricted whitewater and SUP paddling; Contoured padded shoulder straps; High visibility 3M™ reflective accents; Roomy, top loading front pocket for secure storage and easy accessibility; Mesh sides for maximum ventilation; Mini-Ripstop nylon shell & 200 denier oxford liner; Type III PFD with sea level buoyancy listed: SMD: 15 lbs, 8oz / LXL: 16 lbs, 8oz / XXL: 17 lbs, 8oz

CONSTRUCTION:

- Mini Ripstop nylon outer shell
- 200 denier oxford liner
- USCG approved

! SAFETY TIP

LIFE VESTS: Get a good, comfortable life vest and WEAR IT! A life vest does you little good stored on your boat, especially if you get tossed into the water and away from your boat. Accidents happen and by their nature, they happen when you are not prepared. A life vest can keep you afloat until you can rescue yourself or you can be rescued by others. In the worst cases when injuries or cold water are involved, your life vest can make all the difference! Be sure everyone onboard your boat wears a life vest too! Pass the word! Federal law now requires that all persons below the age of 13 must wear a life jacket while aboard a boat.



HOBIE INFLATABLE PFDs

Light weight and comfortable. Ready when you need it, manual CO2 inflation or by mouth inflator allows for swimming, wading and intentional immersion.

S6782BL PFD INFLATABLE BLUE - 24g

S6782GR PFD INFLATABLE GREEN - 24g

S6782RD PFD INFLATABLE RED - 24g

S6782TN PFD INFLATABLE TAN - 24g

S6779R PFD INFLATABLE REARM KIT 24g

NOTE: AIR SHIPPING RESTRICTIONS CO2 / DANGEROUS GOODS

FEATURES:

Coast Guard Approved Type III Nearly twice the buoyancy of USCG foam PFD Shortened slim fit shell for improved comfort when pedaling a Mirage kayak Mesh Yoke Back Strap for breathability and preventing ride-up Large Easy Access Storage pocket for increased storage capacity Inflates manually for flotation only when it's desired D-ring for accessory attachment Accessory attachment straps Interior pocket for holding spare CO2 inflation cylinder Fits 30-52" chests and users 16+ years Included 24g CO2 cylinder provides 26 lbs. of floatation



HOBIE INFLATABLE BELT PACK PFDs

Belt carried PFD design is cooler and more comfortable than typical PFDs. Functional design for multiple types of water sports from fishing, kayaking, sailing to stand up paddling (SUP). Buoyancy: 26 Pounds. USCG Approved Type III PFD, approved for use by persons 80 lbs and 16 years of age or older. Size: Universal Adult Size. Durable ripstop nylon pack. 2" wide, adjustable, nylon waist belt. Includes (1) CO2 Cylinder and instructions.

S6780RG PFD BELT PACK RED/GRY 24g

S6779R PFD INFLATABLE REARM KIT 24g

16g Versions offer Buoyancy 16.5 Pounds. Slim fit / wider pack.

S6783BL PFD BELT PACK BLUE 16g

S6783YL PFD BELT PACK YELLOW 16g

S6780R PFD INFLATABLE REARM KIT 16g

NOTE: AIR SHIPPING RESTRICTIONS CO2 / DANGEROUS GOODS

HOBIE INFANT/CHILD/YOUTH VESTS

These are easy to adjust for different small sized crews.

(Mango)

S6770IMG MANGO <30 lbs

S6770CMG MANGO 30 to 50 lbs

S6770YMG MGO 50 to 90 lbs

(Lime Green)

S6771CLG LIME 30-50#

S6771ILG LIME <30#

S6771YLG LIME 50-90#





HOBIE PET PFDS

You can now take your best friend with you safely and in Hobie Style! Added flotation as a swim assist and grab handles, so you can help them back aboard more easily. Adjustable fit, leash attachment, side pockets, grab handles and soft foam undercarriage support. Happy days for dogs!

FEATURES:

Tri segmented soft foam design; Foam supported Ripstop-nylon collar; Dual cargo pockets (S, M, L, XL); Dual integrated grab handle design (M, L, XL); Soft foam undercarriage support chasis; Integrated leash attachment

- S9000XS** PET PFD XS MANGO <12#
- S9000SM** PET PFD SM MANGO 12-24#
- S9000MD** PET PFD MD MANGO 24-60#
- S9000LG** PET PFD LG MANGO 60-90#
- S9000XL** PET PFD XL MANGO >90#

SIZING:

SIZE	WEIGHT	COLLAR	BODY GIRTH
XS	12 lbs.	8" - 12"	13" - 17"
S	12 - 24 lbs.	10" - 14"	15" - 21"
M	24 - 60 lbs.	13" - 19"	18" - 30"
L	60 - 90 lbs.	18" - 26"	24" - 36"
XL	90 - 120 lbs.	22" - 30"	30" - 42"

HOBIE WATER WEAR

Be more comfortable and extend your kayaking/sailing season by dressing appropriately for the conditions. Hobie water wear is designed for both kayaking and sailing needs.



HOBIE SPRAY TOP

Designed for active kayaking and sailing. Can be worn with swim trunks or over a wetsuit. Mix and match layers to get the comfort you desire. Spray and wind protection. Beautiful styling and extra durable construction. Construction Features: Neck and wrist seals, Neoprene waist seal, Breathable 5000cm3 nylon shell, Offset chest pocket, Arm patch pocket. Colors may vary.

HOBIE SPRAY TOP

3850SM / 3850MD / 3850LG / 3850XL



HOBIE SUP / MSUP LEASH

Safety leash worn above your calf leashes you to your board in case you fall off. 8' Coil.
470145-10 HOBIE SUP / MSUP LEASH



HOBIE FIRST AID KIT

Waterproof 3600 Plano box with essential first aid items. Fits tackle management rack.
72020078 HOBIE FIRST AID KIT



SAFETY WHISTLE

A whistle can save your life! Keep one attached to your PFD in case of overboard emergency. Alert approaching vessels. Alert other boaters or people ashore that you need help.
MK0053 SAFETY WHISTLE



HYDROSTAR - SOS DELUXE

Everything you need for lighting in one compact waterproof package.

72020003 HYDRO STAR SOS LIGHT

FEATURES:

5 light settings; Magnetic base; Suction cup base; Lanyard clip; Integrated safety whistle; Submersible to 50ft

SPECS / FUNCTION:

Dimensions: 6in H x 1.25in DIA
1 CLICK : 3 LED Light (10LM)
2 CLICKS : 3 LED Strobe (15LM)
3 CLICKS : 360° Deck Light (Red:6LM/Green 2LM)
4 CLICKS : Emergency 1 Watt LED Strobe (65LM)
5 SECOND HOLD : SOS Signal (65LM)*



(A) PADDLE "T" HANDLE

Convert your kayak paddle to a canoe style paddle. Easier to store on many models of Hobie Mirage kayaks where paddle use is unnecessary while using the MirageDrive. Plugs into the female half of the kayak paddle.

74049001 PADDLE "T" HANDLE

(B) TELESCOPING PADDLE

Measures just 20" in closed position (45" when fully extended). Lightweight, anodized aluminum shaft corrosion resistant design. Floats too! 6 1/2" wide blade will fit into an 8" hatch opening.

3091 TELESCOPING PADDLE

(C) 3 PC FIBERGLASS PADDLE

Carry as a spare or emergency paddle. 3 piece easily assembles when needed. Includes carry bag.

P23074075-10 3 PC PADDLE

(D) ALUMINUM STRETCH PADDLE

SUP paddle. Adjustable aluminum construction. Foam grip and rubber outlined blade.

23216084-28 ALUMINUM STRETCH

CARTS



80045201



Carts or Dollies are a must for easily transporting your Hobie Eclipse from car to water's edge. Simply roll the Eclipse down to the water and off you go! Plug-in carts do just that ...they plug right into the bottom of your Mirage Eclipse. Choose standard for solid surfaces or Hobie Trax version with pneumatic tires which are great for soft sand and rough surfaces. Each cart has a sturdy stainless steel frame.



80045101

“PLUG-IN” CART

Plugs into the bottom of the Mirage Eclipse. Stainless steel frame. Wheels are easily removable for storage.

80045101 STANDARD CART

Durable 26 cm hard foam tires and strong spoked wheels. Great for transport over solid surfaces. (150 lb Capacity).

80045201 TRAX CART

Pneumatic tires are great for soft sand and rough surfaces. (176 lb Capacity)



CART C-TUG

Carries up to 80kg (170lbs), dismantles for easy stowing, won't rust. Requires no tools and assembles in seconds. Dismantles in seconds. Made of non-corroding engineering polymers, with stainless steel reinforced axles, this cart is designed for harder terrains.

80047201 C-TUG CART

ECLIPSE BOARD BAG

These heavy duty padded travel bags fit the ECLIPSE 10.5 or 12.0. There is extra space in the bag for the handlebar assembly.

72050002 ECLIPSE 10.5 BAG

72050001 ECLIPSE 12.0 BAG



Cart Access Slots. Use the plug-in Cart while the board is covered.



HOBIE ECLIPSE PROTECTION KIT

Protect your Eclipse rails and surfaces with clear plastic stick-on coverings. Kit includes sections to protect rails and decks. Protects from scuffs and scratches.

72050005 RAIL PROTECTION KIT



HOBIE ECLIPSE MIRAGEDRIVE STOW BAG

This heavy duty Cordura and mesh bag fits the complete MirageDrive with Flow Fins. There is extra space in the bag for things like a life vest or drive well plug.

72050011 ECLIPSE MIRAGEDRIVE BAG



HOBIE TIE DOWN STRAPS

Rack tie-down straps, made of durable black polypropylene webbing. Diagonal cut and ironed ends make threading ends into buckles easier.

- 72042001** TIE DOWNS 12' (Pair)
- 72043001** TIE DOWNS 15' (Pair)



ROOF RACK PAD

Beefy car roof rack pads, made from durable black polyester with Hobie logo. Easy-on split bottom with Velcro™ closure.

- 72045** 24" ROOF RACK PAD (Pair)
- 72046** 36" ROOF RACK PAD (Pair)
- 72044** 24" AERO RACK PAD (Pair)
- 72049** 36" AERO RACK PAD (Pair)

MULTI STRAP SYSTEM

Hang your kayak for storage, use as bow and stern lines or use them as carrying handles. Multi purpose straps can be attached to the boat and adjusted for many uses. Made from durable black polypropylene webbing.

- 72041** MULTI STRAP (Pair)



QUICK STRAP SPORTRACK

Easily installs on any vehicle with front and rear doors or opening windows. The straps secure inside the car, no gutter hooks are required. Packed in mesh storage bag (#72040 with bow and stern tie downs).

- 72040** QUICK STRAP SPORTRACK 30" Pair
- 72035** QUICK STRAP SPORTRACK 24" Pair (No Lines)

LOADING ACCESSORIES

Load a kayak on to your vehicle without having to lift the full weight. Perfect for loading up solo or for car topping heavier boats.



UNIVERSAL SIDE LOADER

The Rhino-Rack Universal Side Loader assists you in loading your kayak, ladder, camping gear or other longer heavy items, onto your roof rack crossbars. Simply lift one end of your load onto the Rhino Universal Side Loader, then pivot your load onto your crossbars.

Be sure to tie down your load once it is safely on the crossbars using load rated fastening straps.

FEATURES INCLUDE:

Push button for quick release and easy storage; Crossbar clamps to suit all popular roof racks; Heavy duty storage bag; Support pole for loads greater than 44lbs (up to 132lbs); Integrated load stop prevents load from sliding off bar; foam padding for protection of your gear; Padding on the underside of clamps to protect vehicle roof; Fits all Rhino Aero, HD/Euro, all Thule Square, Aero bar & Wingbar, Rola, Prorack and Whispbar

72040011 RHINO UNIVERSAL SIDE LOADER



T-LOAD HITCH MOUNT

The Rhino-Rack T-Load Hitch Mount is the perfect load carrying solution for long loads. Built tough from E coated Steel, the T-Load allows you to effortlessly load and transport your kayak. Mounting to a 2" hitch receiver or ball the T-Load features an adjustable tilt position.

A fitting kit is provided to attach your Rhino-Rack crossbars directly to the top of the T-Load and because we're top blokes we've also thrown in a non-slip mat to stop slippage when loading.

FEATURES INCLUDE:

Single person use; Adjustable height & tilt position: Minimum height 950mm; Maximum height 1540mm; 1 x Rhino-Rack Aero crossbar; Rhino-Rack crossbar fitting; 1 x RTLK (Rhino-Rack T-Load Sling Kit); Non slip mat; Choose the version: 2" hitch receiver or 2" / 50mm Ball mount; 3 year warranty

72040013 RHINO 2" RECEIVER T-LOADER

72040014 RHINO 2" BALL T-LOADER



Watch Our Video

NAUTIC KAYAK LIFTER

Is a complete system for easily loading and unloading sit on top kayaks. 80kg (176 lb) load capacity, does not require any heavy lifting and a single person can operate it using the included winch.

The unit is designed to be neatly stored on the roof of your vehicle beside your kayak when not in operation.

Important Note: Designed to fit Rhino roof rack systems with bar overhang with at least 100mm. Contact Rhino for other rack Mfg compatibility.

72040012 RHINO NAUTIC KAYAK LIFTER





QUAD LOCK UNIVERSAL PHONE MOUNT

The Quad Lock adapter allows you to mount a phone or small device to Handlebars, H-Rail, H-Bar tubing. Designed for biking, but great for Hobie rail attachment too! Quick 45 degree twist to attach and lock. Release spring lever and turn 45 degrees to remove the device from the mount. Attaches to rails with rubber rings or zip ties that are included in the kit. 3M adhesive adapter attaches securely to your device (water proof cases recommended of course).

72020511 QUAD LOCK



UNIVERSAL MOUNT / CAGE

This awesome adapter allows you to mount a water bottle cage or small device to the handlebar tubing. Quick attachment and removal. Adjustable for upper or lower tube size.

72020503 UNIVERSAL MOUNT

72020510 WATER BOTTLE CAGE

MIRAGE ECLIPSE ACCESSORY BAG

The Mirage Eclipse experience just got even better! Now you can take your essentials along with you by packing them away in this convenient Eclipse Accessory Bag.

Eclipse Accessory Bag Features:

- 3 easy Velcro straps for attachment to the Eclipse handle bar
- Water resistant construction for keeping things dry
- Key tether with YKK snap swivel for extra security
- Interior zipper pouch for organizing smaller items
- Drainage hole in the bottom of the bag to rid water and keep the interior of the bag dry
- Clear visibility window in the top of the bag so you know exactly what you're reaching for
- Dimensions: approx. 8" Tall x 8" Wide x 3" Deep

72020116 ACCESSORY BAG



LEASH KIT - MIRAGEDRIVE

Protect your investment from an accidental drop overboard. Includes hardware for attachment to the hull.

74052101 LEASH KIT - MIRAGEDRIVE



HOBIE SNIPS
Retractable line cutters.
72020103 SNIPS

FISH GRIP

Handy fish grip in a glow-in-the-dark plastic material.
72020019 FISH GRIP



HOBIE SOFT COOLER/FISH BAG

Keep your food or catch cold all day, even in very hot conditions. High quality construction includes half-inch closed cell foam that insulates, vinyl coated polyester that's durable and YKK zippers that are strong. Has handles for carrying and d-rings on the sides for attaching to the kayak.

Large size Bag is approximately 70 qt. The top has an adjustable bungee cord for storing additional gear. Dimensions: 36 inches long, 8 inches tall, bag tapers from 10 inches wide in the front to 20 inches wide in the back.

72020111 SOFT COOLER / FISH BAG - LARGE

Medium size Bag is approximately 26 qt. Easy access zipper on top and drain plug on bottom. Fits inside front hatch of many Hobie kayaks. Dimensions: 24 inches long, 7 inches tall, bag tapers from 7 inches wide in the front to 16 inches wide in the back.

72020113 SOFT COOLER / FISH BAG - MEDIUM

HOBIE FISHING HAWG TROUGH

Holds the big ones safely for measuring and photos before release. (30in / 76cm)
72020067 HAWG TROUGH



PLANO TACKLE BOX

TACKLE BOX SMALL - 10 adjustable dividers create 5-15 compartments. Clear/Yellow 9.13" x 5" x 1.25"
72020311 TACKLE BOX SMALL

TACKLE BOX MEDIUM - 15 adjustable dividers create 5-20 compartments.

Clear/Blue 11" x 7.25" x 1.75"
72020321 TACKLE BOX MEDIUM

TACKLE BOX LARGE - 25 dividers create 3-28 compartments. Perfect box for extra long bulk storage. Clear/Red 14" x 9.13" x 2"

72020331 TACKLE BOX LARGE



PA BUCKET/ALL CARGO COOLER

This cooler is designed to fit within a Pro Angler forward hatch liner. It will also fit nicely in all other Mirage aft cargo areas. Bring along your favorite cool beverages and foods or use as a catch bag. Includes several mesh pockets, shoulder strap, carry handles, tiedown rings.

72020087 COOLER - PA BUCKET / ALL CARGO



HOBIE SMALL ROLL TOP DRY BAG

8" diameter x 14". This dry bag is built of tough materials. Seals tight to keep your stuff dry.

71703001 8" HOBIE DRY BAG



GUSSETED STOW BAG

6" by 12" gusseted bag has hooks on both ends to clip to your boat. Also available in 8" x 15" size. Securely stow tools, gloves or small parts for easy access.

72000B 6"x12" GUSSETED STOW BAG

72005B 8"x15" GUSSETED STOW BAG



VIEW DRY BAG

Transparent 13 oz. vinyl bags make quick work of locating things. Its cylindrical shape will hold various shapes such as clothing, cameras, binoculars, lunches, etc. without distortion of bag and resultant potential leakage. Air purge vent.

72210L VIEW VENTED (10L)

72230L VIEW VENTED (30L)



HOBIE BOAT CLEANER & UV PROTECTANT SYSTEM: CLEAN AND THEN PROTECT!

HOBIE MULTI-LUBE

A planet-safe lubricant recommended for lubricating MirageDrives and many other uses. Environmentally friendly for in-the-water applications. Hobie Multi-Lube offers excellent lubrication, is an anti corrosive coating, great for cleaning and many other uses... use on nearly anything that squeaks, rusts, corrodes or binds up; MirageDrives, rudder drums, cams, fishing reels and more. The 1 oz size is perfect for getting the lubricant into tight spaces by using the needle applicator. The 4 oz size has a spray applicator for coating chains and larger surfaces, shafts and bulky parts. Every Hobie owner should have Hobie Multi-Lube. Be nice to our planet, keep MirageDrives and other components running smoothly and lasting longer without polluting our waterways. Use it for all shop, home and sport lubrication needs.

- 5120 HOBIE MULTI LUBE 1 OZ
- 5121 HOBIE MULTI LUBE 4 OZ



HOBIE BOAT CLEANER

Formulated with "Green Chemistry" to safely remove dirt and stains from Hobie products. Good on fiberglass, polyethylene, Vinyl (trampolines) and PVC (inflatable). Cleans the most stubborn stains off of hulls. 12 oz.

- 70050001 HOBIE BOAT CLEANER



HOBIE UV PROTECTANT

Protect and rejuvenate fiberglass, polyethylene, vinyl and PVC materials. Wipe on, the protectant absorbs into the material and leaves a UV protective layer. Reduce the loss of essential oils and deflect the sun's harmful UV rays. 12 oz.

- 70060001 HOBIE UV PROTECTANT



AQUASEAL MIRAZYME ODOR ELIMINATOR

There's nothing quite like the odor of damp gear left in your car trunk for a couple of days. With one application eliminate those odors from booties, wet-suits, dry-suits and the rest of your gear. A 100% biodegradable product made from a blend of 10 highly specialized, light activated microbial elements. Works by penetrating into pores of fabric, rubber and even hard surfaces to eliminate odor naturally.

- 7003 8oz.



GERBER NEEDLENOSE MULTI-PLIER®

Needlenose pliers, wire cutter, crimper, standard/ metric scale, lanyard ring, cross head screwdriver, bottle/can opener, serrated sheeps foot blade, large, medium, and small flathead screwdrivers, file, drop point blade. Stainless steel construction with a limited lifetime warranty!

- 83102 GERBER TOOL



STAINLESS STEEL POCKET KNIFE

DELUXE - Marlin spike, knife blade, shackle tool, and screwdriver. 4.0 oz.

- 1551 DELUXE



CLEAR SILICONE SEALER

Make sure your hulls are watertight! Clear Silicone seals leaks around all thru-hull fittings.

- 376 1.5oz. TUBE



SILICONE SPRAY

Dry silicone spray for cleats, hatch O-rings. (Image above may not represent current packaging or volume)

- 5107 SILICONE 7oz.

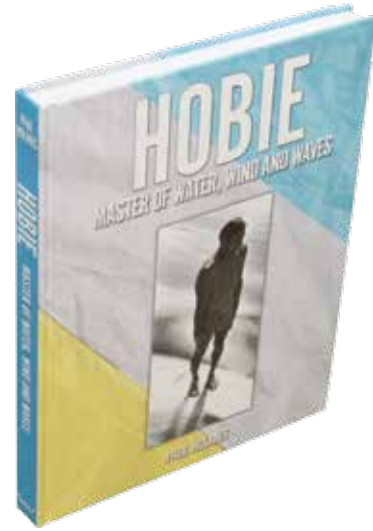




HOBIE CROAKIES

Keep your glasses in place! Made from wetsuit fabric that will not stretch or lose shape when wet. Remains secure whether worn normally, raised or lowered around your neck.

1553CR Each



HOBIE-MASTER OF WATER, WIND, AND WAVES

The man, Hobie, known by just one name worldwide, has an epic life story. This 12" x 9" hardcover book shows how it all came to be, and more, in 17 chapters with 300 pages, 120,000 words of text and 585 photographs and illustrations. The book is available through Hobie Cat and Hobie Kayak dealers worldwide.

Surfboards, catamarans and boats, RC model airplanes (the Hobie Hawk), and a whole lot more "toys"—as Hobie himself describes his amazing life's work— will all be celebrated in the biography of the man who defined a lifestyle in surfing and sailing.

87369116 BOOK, HOBIE-MASTER OF WATER, WIND, AND WAVES



LICENSE FRAME "HOBIE"

3043 Chrome



STAINLESS WATER BOTTLE

71995001 20oz



HOBIE KEY FLOAT

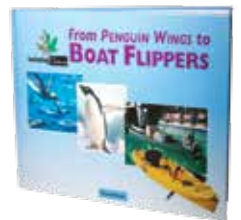
Don't lose those keys! Keep a few bucks dry, inside the small compartment, while on the water.

72010 Each

BOOK - FROM PENGUIN WINGS TO BOAT FLIPPERS

Great book about taking ideas from nature to use in products. All about the Hobie Mirage pedal system. Written by Toney Allman from the series "Imitating Nature".

615 Each



STICKERS See Parts List for Pricing



12451050 / 12451051 24"



36601000 6"
36601011 6"
13001001 12 5/8"



12453023 CHROME BLACK



12453024 12" BLACK
12453025 12" WHITE



12453021 4 1/2"



12453011 4 1/2"



12453031 4 1/2"



79545001 2 3/4"

Kevin
Fishing Sales and
Support

Sym
Accounting



Gear Up for your Hobie Outdoor Lifestyle

Jeffrey
Digital Assets
Manager

Kim
Administrative
Assistant



5056
Fleece-
lined
Beanie,
Black



5057
Fleece-
lined
Beanie,
Grey



6523X
Baja Stripe Charcoal PO Hoodie



6524X
Baja Stripe Burgundy PO Hoodie



6522X
Unisex Sky Blu Zip Hoodie
California Logo



6514X
Unisex Burnt Orange Zip Hoodie
California Logo



6515X
Unisex Oatmeal Zip Hoodie
California Logo



6513X
Unisex Charcoal Zip Hoodie
California Logo



6501X
Men's Black T-Shirt Hobie
California Logo



6502X
Men's Cream T-Shirt Hobie
California Logo



6503X
Men's White T-Shirt Classic
Diamond Logo



6504X
Men's White T-Shirt Classic Surf
Logo



6519X
Fishing Char/Lime S/S



6520X
Fishing R Blue/Whit S/S



6505X
Men's Black T-Shirt
Classic Surf Logo



6506X
Men's Black T-Shirt
Classic Diamond Logo



6517X
Ladies Light Grey L/S Scoop
Neck with Flying H



6518X
Ladies Charcoal L/S Scoop Neck
with Flying H



6507X
Men's Grey L/S T-Shirt
Hobie Script Logo



6508X
Men's Charcoal L/S T-Shirt
Hobie Script Logo



6521X
Unisex Sky Blu PO Hoodie
Script Logo



6509X
Unisex Charcoal PO Hoodie
Script Logo



6511X
Unisex Oatmeal PO Hoodie
Script Logo



6512X
Unisex Burnt Orange PO Hoodie
Script Logo

Key: 1=S, 2=M, 3=L, 4=XL, 5=XXL, 6=XXXL (Example, 65011 is the Men's Black T-Shirt S/S with Hobie® California Logo in size small.)

Fish. Kayak. Surf. Sail. Stand Up. Pedal. Sun.



6000
Beach Towel,
Orange

6001
Beach Towel,
Lime

6002
Beach Towel,
Yellow

6003
Beach Towel,
Aqua



6004
Hobie Sunscreen,
SPF 30, 8oz

6005
Hobie Sunscreen,
SPF 15, 8oz

MK0070
Hobie Sunscreen,
SPF 30, 2oz



72026103
Speaqu Bluetooth
Speaker

5029
First Cast,
Snap



5030SM
/5030LXL
Patch,
Fitted



5032
Hobie
Kayak,
Velcro



5033SM
/5033LXL
Patch,
Fitted



5034
Have A
Hobie
Day, Snap



5039
Fish
Pattern,
Velcro



5031
Flying Side
H, Snap



5043
Hobie,
Velcro



5044
Fish
Pattern,
Snap



5045
Camo
Redfish,
Snap



5046
Red
Redfish,
Snap



5047
Bass, Snap



5049
Dorado,
Snap



5050
Striper,
Snap



5054
Sailing,
Snap



5055
Angle
H, Snap



5060
Mirage
Eclipse Hat



5061
Visor,
Grey



5062
Visor,
Orange



5063
Visor,
Turquoise



5040
Classic
Surf,
Trucker



5041
Classic
Diamond,
Trucker



5064
Super
Surfer,
Navy,
Snap



5065
Super
Surfer,
Sky Blue,
Snap



5058
Water
Hat, Olive



5059
Water
Hat, Tan



5066
Ladies
Sailboat,
Straw



5042
Lifeguard,
Straw



HOBIE SUPPORT / ONLINE SUPPORT - FAQs - FORUMS

For technical help, contact your dealer, see the Hobie website support area or visit our Hobie user forums.

Our on-line support area and forums include FAQs with many technical and user topics.

Hobie Cat Company HOBIE.COM / Hobie Australasia HOBIE.COM.au / Hobie Kayak Europe hobie-kayak.com

HOBIE CAT PARTS - WARRANTY POLICY

HOBIE PARTS WARRANTY Hobie Cat warrants all Hobie Cat manufactured parts and accessories against failure due to materials or workmanship defects for a period of one year.

OUTSIDE USA WARRANTY INFORMATION – Regions Outside of the USA refer to warranty policy statement issued in each country.

OTHER WARRANTY Any accessories and other merchandise sold by Hobie Cat not mentioned in the paragraph above are not warranted by Hobie Cat. Said accessories and other merchandise may be covered by the manufacturer's warranty, a copy of which can be furnished by Hobie Cat upon written request.

HOBIE CAT'S OBLIGATION Hobie Cat at its option will repair or replace without charge any part or accessory which is found to be defective under the terms and within the period of this Warranty. Buyer must return the accessory with a sales slip as proof of purchase date.

BUYER'S OBLIGATION Upon discovery of a suspected defect, Buyer must-at his/her own expense-promptly return the equipment to the Hobie Kayak dealer for inspection. Warranty is void if equipment is

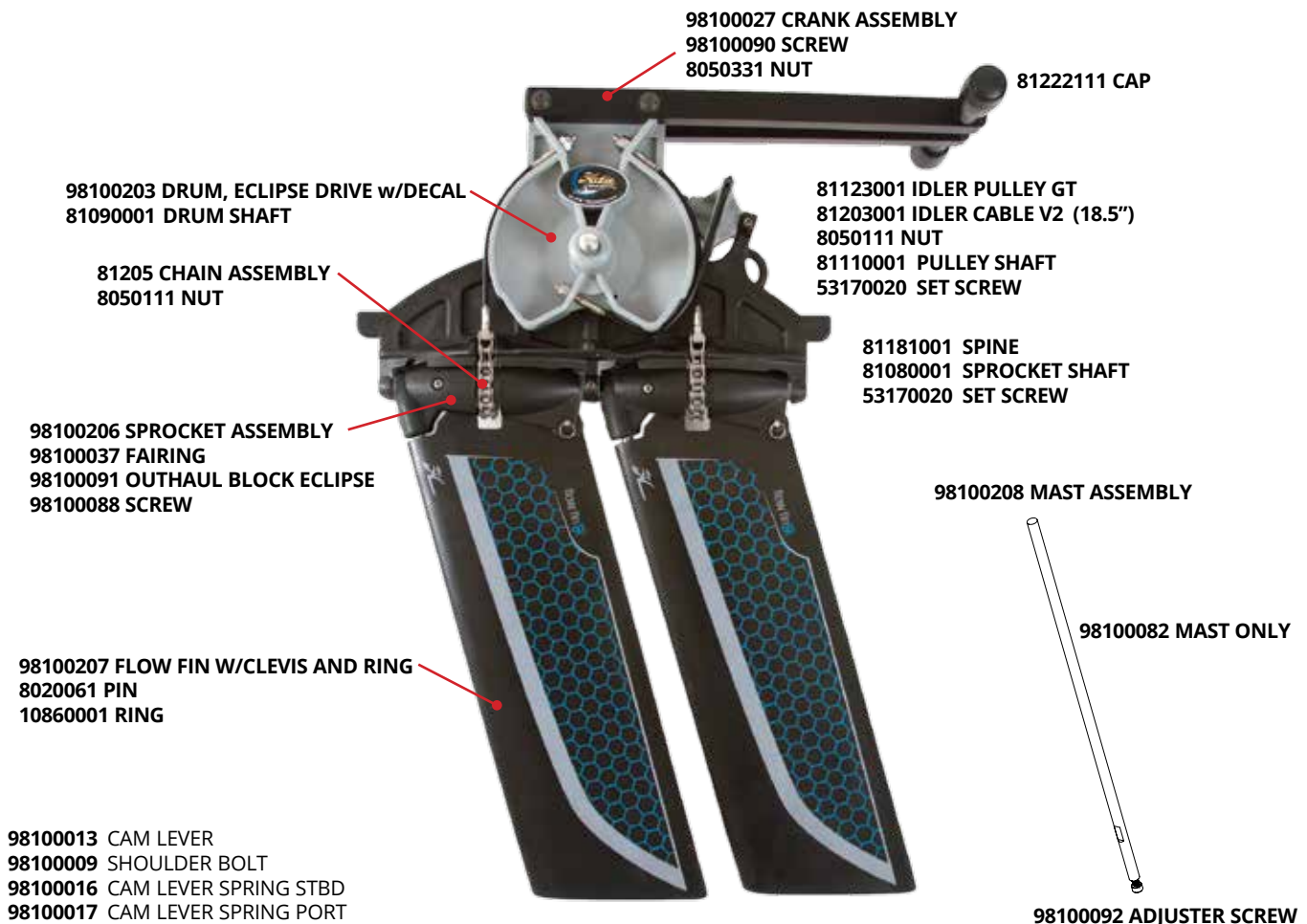
operated after a suspected defect is, or should have been, discovered.

WHO IS ENTITLED TO WARRANTY Only the original Buyer of the equipment and accessories from Hobie Cat is entitled to warranty. Warranty may not be transferred.

NO WARRANTY OF USED EQUIPMENT Used equipment is sold AS IS; Hobie Cat makes NO WARRANTY concerning its merchantability, condition, durability, age or model year, or fitness for any purpose whatsoever.

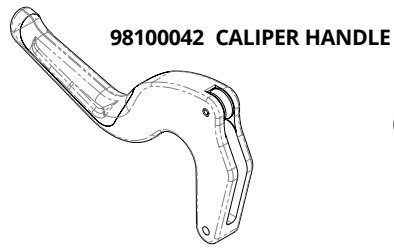
MUTUAL AGREEMENTS It is agreed that this warranty sets forth Buyer's exclusive right and remedy against Hobie Cat with respect to the equipment and accessories. It is in lieu of all other express warranties and all implied warranties, including implied warranties of merchantability and fitness. Hobie Cat assumes no other like or unlike liability for loss of cargo, use, profit or consequential damages of any kind in connection with the sale, alteration, use, repair or replacement of equipment or any part thereof.

98100010 HOBIE ECLIPSE MIRAGEDRIVE



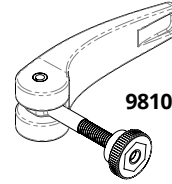
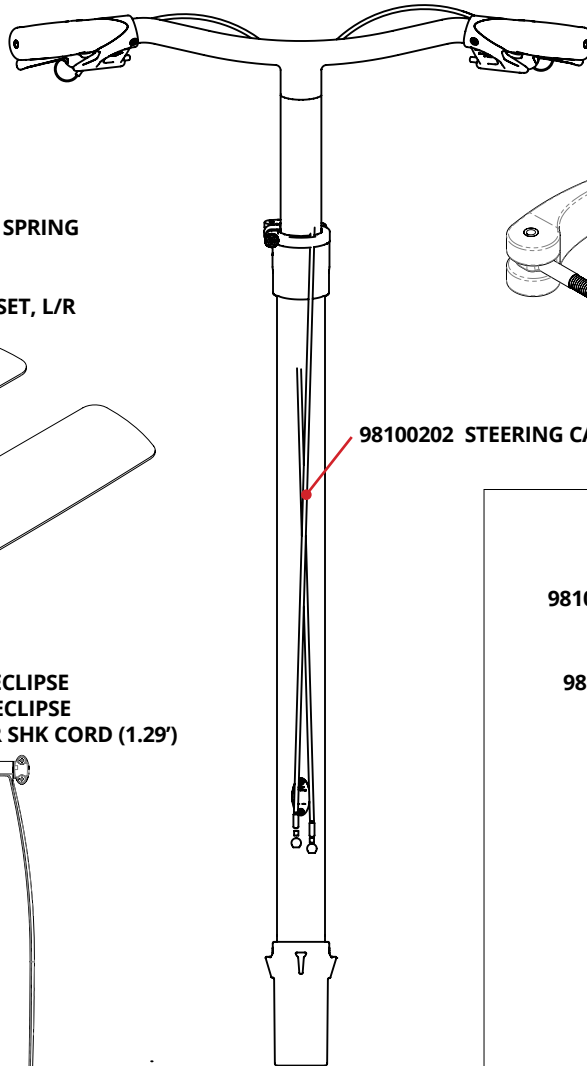
- 98100214 PAD, HANDLEBAR 10.5
- 98100216 DECK PAD ECLIPSE 10.5 SET
- 98100215 PAD, HANDLEBAR 12.0
- 98100217 DECK PAD ECLIPSE 12.0 SET

- RS316BLK CARGO SHOCK CORD
- 8.33' 12.0 ECLIPSE
- 6.45' 10.5 ECLIPSE



98100042 CALIPER HANDLE

98100020 HANDLEBAR ASSEMBLY

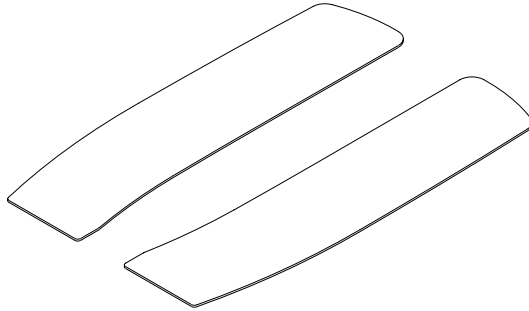


98100204 HANDLE, QR ASSEMBLY



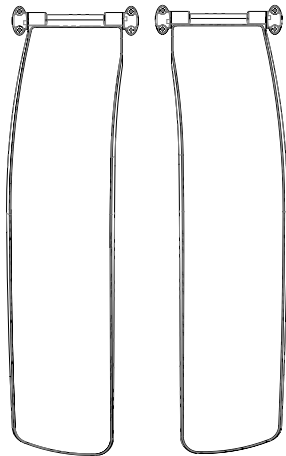
98100045 CALIPER SPRING

98100209 PEDAL PAD SET, L/R



98100202 STEERING CABLE SET (L/R)

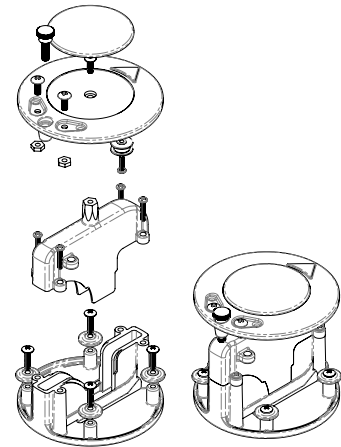
- 98100213 PEDAL ASSY (L) ECLIPSE
- 98100212 PEDAL ASSY (R) ECLIPSE
- RS316BLK PEDAL RETAINER SHK CORD (1.29')



IN THE BOARD

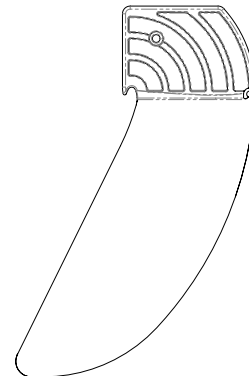
98100210 CONTROL LINE w/KNOT COVER

98100200 RUDDER HOUSING ASSEMBLY

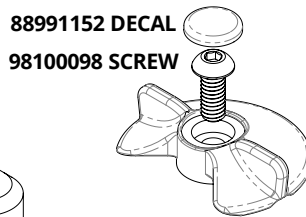


98100211 BUNGEE ASSY ECLIPSE RUDDER WELL

98100031 RUDDER - ECLIPSE



98100205 CAM LOCK ASSEMBLY

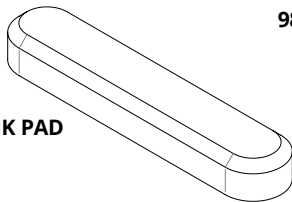


98100063 LOCK

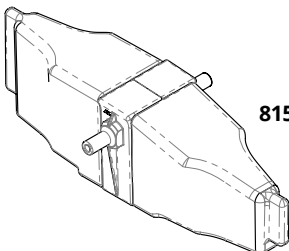
88991152 DECAL

98100098 SCREW

98100057 CRANK PAD



81538 CASSETTE PLUG - ECLIPSE



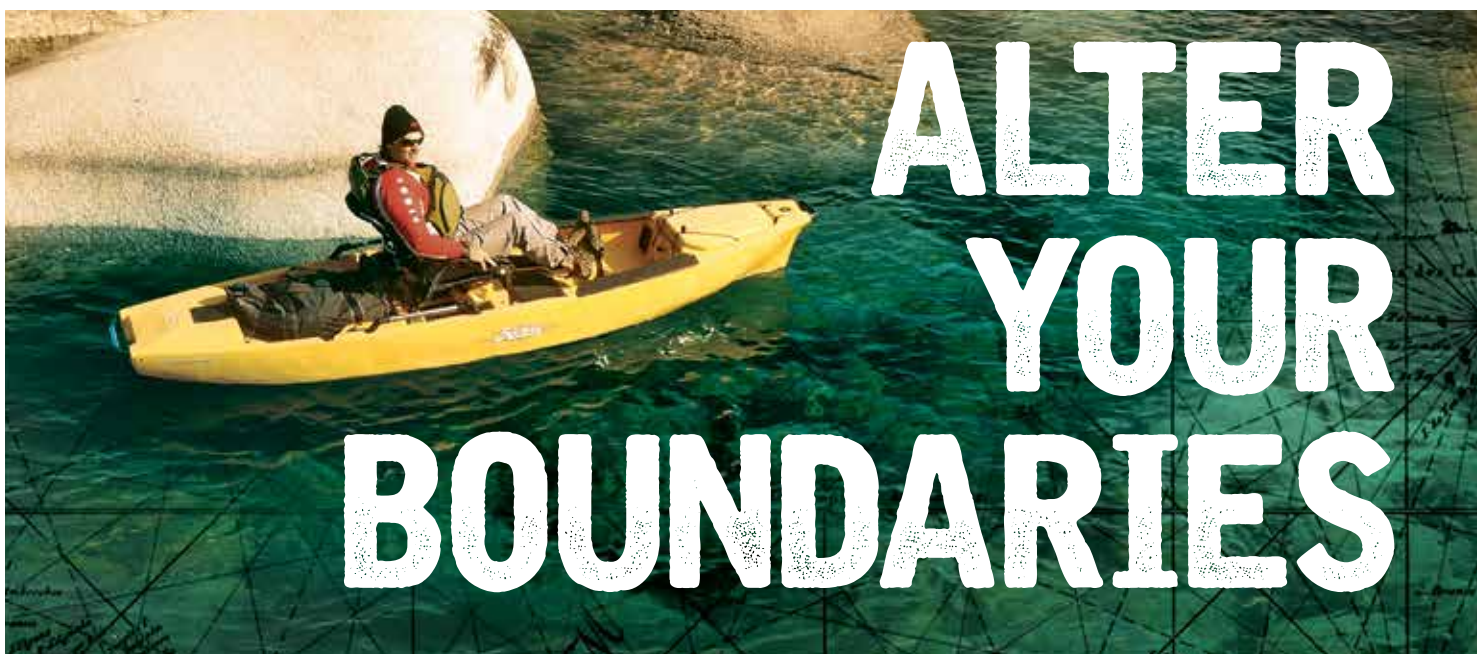
98100002 REAR HANDLE - ECLIPSE

98100003 SCREW

8080561 WASHER

Part	Description	OS	Part	Description	OS
376	SILICON RTV 100% 3 OZ.	-	65133	CALIF CHAR ZIP HOODIE L	-
615	BOOK, PENGUIN BOAT FLIPPERS	-	65134	CALIF CHAR ZIP HOODIE XL	-
1551	KNIFE, DLX STAINLESS	-	65135	CALIF CHAR ZIP HOODIE XXL	-
3043	LICENSE FRAME - CHROME "HOBIE"	-	65141	CALIF BUORH ZIP HOODIE S	-
3045	LICENSE FRAME - HOBIE FISHING	-	65142	CALIF BUORH ZIP HOODIE M	-
3091	PADDLE, TELESCOPING 20"-39"	-	65143	CALIF BUORH ZIP HOODIE L	-
5029	HAT, HOBIE FIRST CAST GRY/BLK	-	65144	CALIF BUORH ZIP HOODIE XL	-
5031	HAT, HOBIE FLYING H FLAT BILL	-	65145	CALIF BUORH ZIP HOODIE XXL	-
5032	HAT, HOBIE KAYAK	-	65151	CALIF OATH ZIP HOODIE S	-
5034	HAT, HAVE A HOBIE DAY ORANGE	-	65152	CALIF OATH ZIP HOODIE M	-
5039	HAT, FISH PATTERN BLUE/BLACK	-	65153	CALIF OATH ZIP HOODIE L	-
5040	HAT, HOBIE CLASSIC SURF NAVY	-	65154	CALIF OATH ZIP HOODIE XL	-
5041	HAT, HOBIE CLASSIC DIAMOND NAV	-	65155	CALIF OATH ZIP HOODIE XXL	-
5042	HAT, HOBIE LIFEGUARD	-	65171	FLY H HWHT LS LADIES SCOOP T S	-
5043	HAT, HOBIE SCRIPT	-	65172	FLY H HWHT LS LADIES SCOOP T M	-
5044	HAT, HOBIE FISH PATTERN BLACK	-	65173	FLY H HWHT LS LADIES SCOOP T L	-
5045	HAT, HOBIE CAMO REDFISH	-	65174	FLY H HWHT LS LADIES SCOP T XL	-
5046	HAT, HOBIE RED REDFISH	-	65181	FLY H VBLK LS LADIES SCOOP T S	-
5047	HAT, HOBIE BASS PATCH	-	65182	FLY H VBLK LS LADIES SCOOP T M	-
5049	HAT, HOBIE DORADO	-	65183	FLY H VBLK LS LADIES SCOOP T L	-
5050	HAT, HOBIE STRIPER	-	65184	FLY H VBLK LS LADIES SCOP T XL	-
5054	HAT, HOBIE SAILING	-	65192	FISHING CHAR/LIME S/S M	-
5055	HAT, HOBIE AQUA H	-	65193	FISHING CHAR/LIME S/S L	-
5056	BEANIE/HAT, HOBIE BLACK	-	65194	FISHING CHAR/LIME S/S XL	-
5057	BEANIE/HAT, HOBIE GREY	-	65195	FISHING CHAR/LIME S/S XXL	-
5058	HAT, HOBIE WATER-OLIVE	-	65202	FISHING R BLUE/WHT S/S M	-
5059	HAT, HOBIE WATER-TAN	-	65203	FISHING R BLUE/WHT S/S L	-
5060	HAT, MIRAGE ECLIPSE	-	65204	FISHING R BLUE/WHT S/S XL	-
5061	VISOR/HAT, GREY MESH	-	65205	FISHING R BLUE/WHT S/S XXL	-
5062	VISOR/HAT, ORANGE MESH	-	65211	UNISEX SKY BLU PO HOODIE S	-
5063	VISOR/HAT, TURQUOISE MESH	-	65212	UNISEX SKY BLU PO HOODIE M	-
5064	HAT, SUPER SURFER NAVY	-	65213	UNISEX SKY BLU PO HOODIE L	-
5065	HAT, SUPER SURFER SKY	-	65214	UNISEX SKY BLU PO HOODIE XL	-
5066	HAT, SAILBOAT STRAW LADIES	-	65215	UNISEX SKY BLU PO HOODIE XXL	-
5107	SILICONE SPRAY 7oz	-	65221	UNISEX SKY BLU ZIP HOODIE S	-
5120	HOBIE MULTI LUBE 1 OZ	-	65222	UNISEX SKY BLU ZIP HOODIE M	-
5121	HOBIE MULTI LUBE 4 OZ	-	65223	UNISEX SKY BLU ZIP HOODIE L	-
6000	HOBIE BEACH TOWEL-ORANGE 35x60	-	65224	UNISEX SKY BLU ZIP HOODIE XL	-
6001	HOBIE BEACH TOWEL-LIME 35x60	-	65225	UNISEX SKY BLU ZIP HOODIE XXL	-
6002	HOBIE BEACH TOWEL-YELLOW 35x60	-	65231	BAJA STRIPE CHAR PO HOODIE S	-
6003	HOBIE BEACH TOWEL-AQUA 35x60	-	65232	BAJA STRIPE CHAR PO HOODIE M	-
6004	SUNSCREEN, SPF#30 8oz	-	65233	BAJA STRIPE CHAR PO HOODIE L	-
6005	SUNSCREEN, SPF#15 8oz	-	65234	BAJA STRIPE CHAR PO HOODIE XL	-
7003	MIRA ZYME 8 oz ODOR ELIMINATOR	-	65235	BAJA STRIPE CHAR PO HOODIE XXL	-
65012	CALIF BLK MENS S/S T M	-	65241	BAJA STRIPE BURG PO HOODIE S	-
65013	CALIF BLK MENS S/S T L	-	65242	BAJA STRIPE BURG PO HOODIE M	-
65014	CALIF BLK MENS S/S T XL	-	65243	BAJA STRIPE BURG PO HOODIE L	-
65015	CALIF BLK MENS S/S T XXL	-	65244	BAJA STRIPE BURG PO HOODIE XL	-
65022	CALIF CRM MENS S/S T M	-	65245	BAJA STRIPE BURG PO HOODIE XXL	-
65023	CALIF CRM MENS S/S T L	-	72010	KEY FLOAT/SCUPPER PLUG	-
65024	CALIF CRM MENS S/S T XL	-	72035	QUICK STRAP SOFT RACK-24.0"	-
65025	CALIF CRM MENS S/S T XXL	-	72040	QUICK STRAP RACK W/TIE DN	-
65031	DIAMOND WHT MENS S/S T S	-	72041	MULTI STRAP SYSTEM	-
65032	DIAMOND WHT MENS S/S T M	-	72044	PADS AERO BAR - 24"	-
65033	DIAMOND WHT MENS S/S T L	-	72045	PADS ROOF RACK - 24"	-
65034	DIAMOND WHT MENS S/S T XL	-	72046	PADS ROOF RACK - 36"	-
65035	DIAMOND WHT MENS S/S T XXL	-	72049	PADS AERO BAR - 36"	-
65036	DIAMOND WHT MENS S/S T XXXL	-	81111	DECAL DOME M-DRIVE GT	-
65041	CLASSIC WHT MENS S/S T S	-	81205	CHAIN ASSY, ECLIPSE DRIVE	-
65042	CLASSIC WHT MENS S/S T M	-	81538	CASSETTE PLUG - ECLIPSE	-
65043	CLASSIC WHT MENS S/S T L	-	83102	TOOL GERBER MULTI-PLIER 600	-
65044	CLASSIC WHT MENS S/S T XL	-	8030285	SCREW 10-32 X 5/8" FLMS-P	-
65045	CLASSIC WHT MENS S/S T XXL	-	8050331	NUT 5/16-18 HX NYLOCK LP	-
65046	CLASSIC WHT MENS S/S T XXXL	-	12451050	DECAL "HOBIE" SCRIPT BLACK	-
65051	CLASSIC BLK MENS S/S T S	-	12451051	DECAL "HOBIE" SCRIPT WHT	-
65052	CLASSIC BLK MENS S/S T M	-	12453011	DECAL - HOBIE KAYAKS	-
65053	CLASSIC BLK MENS S/S T L	-	12453021	DECAL - HOBIE KAYAK FISHING	-
65054	CLASSIC BLK MENS S/S T XL	-	12453023	DECAL, HOBIE SCRIPT CHROME/BLK	-
65055	CLASSIC BLK MENS S/S T XXL	-	12453024	DECAL, 12" HOBIE FISHING BLACK	-
65056	CLASSIC BLK MENS S/S T XXXL	-	12453025	DECAL, 12" HOBIE FISHING WHITE	-
65061	DIAMOND BLK MENS S/S T S	-	12453031	DECAL - HOBIE CAT TEQ	-
65062	DIAMOND BLK MENS S/S T M	-	20860000	LARGE CLEVIS RING	-
65063	DIAMOND BLK MENS S/S T L	-	36601000	DECAL FLYING "H" SMALL BLK	-
65064	DIAMOND BLK MENS S/S T XL	-	36601011	DECAL FLYING "H" SMALL WHT	-
65065	DIAMOND BLK MENS S/S T XXL	-	70050001	HOBIE BOAT CLEANER-12oz	-
65066	DIAMOND BLK MENS S/S T XXXL	-	70060001	HOBIE UV PROTECTANT-12oz	-
65072	SCRIPT AHGRY MENS L/S T M	-	71703001	HOBIE DRY BAG 8.0"	-
65073	SCRIPT AHGRY MENS L/S T L	-	71995001	WATER BOTTLE - STAINLESS	-
65074	SCRIPT AHGRY MENS L/S T XL	-	72020000	HOBIE GEAR KEEPER SMALL 36"	-
65075	SCRIPT AHGRY MENS L/S T XXL	-	72020001	HOBIE GEAR KEEPER LARGE 36"	-
65082	SCRIPT CHAR MENS L/S T M	-	72020003	HYDRO STAR SOS DLX LIGHT	-
65083	SCRIPT CHAR MENS L/S T L	-	72020009	HOBIE DRIFT CHUTE	-
65084	SCRIPT CHAR MENS L/S T XL	-	72020015	ROD HOLDER - LIVEWELL w/FASTEN	-
65085	SCRIPT CHAR MENS L/S T XXL	-	72020019	FISH GRIP	-
65091	SCRIPT CHARH PO HOODIE S	-	72020067	HOBIE FISHING HAWG TROUGH	-
65092	SCRIPT CHARH PO HOODIE M	-	72020078	HOBIE FIRST AID KIT	-
65093	SCRIPT CHARH PO HOODIE L	-	72020087	COOLER - PA BUCKET / ALL CARGO	-
65094	SCRIPT CHARH PO HOODIE XL	-	72020088	HOBIE H-CRATE	-
65095	SCRIPT CHARH PO HOODIE XXL	-	72020097	H-CRATE SOFT COVER	-
65111	SCRIPT OATH PO HOODIE S	-	72020098	ROD HOLDER ASSEMBLY / H-RAIL	-
65112	SCRIPT OATH PO HOODIE M	-	72020099	HD STRAP KIT	-
65113	SCRIPT OATH PO HOODIE L	-	72020103	BOOMERANG SNIPS	-
65114	SCRIPT OATH PO HOODIE XL	-	72020111	FISH BAG/COOLER LARGE	-
65115	SCRIPT OATH PO HOODIE XXL	-	72020113	FISH BAG/COOLER MEDIUM	-
65121	SCRIPT BUORH PO HOODIE S	-	72020116	ECLIPSE ACCESSORY BAG	-
65122	SCRIPT BUORH PO HOODIE M	-	72020297	H-CRATE JR SOFT COVER	-
65123	SCRIPT BUORH PO HOODIE L	-	72020298	HOBIE H-CRATE JR	-
65124	SCRIPT BUORH PO HOODIE XL	-	72020311	TACKLE BOX - SMALL YELLOW	-
65125	SCRIPT BUORH PO HOODIE XXL	-	72020321	TACKLE BOX - MEDIUM BLUE	-
65131	CALIF CHAR ZIP HOODIE S	-	72020331	TACKLE BOX - LARGE RED	-
65132	CALIF CHAR ZIP HOODIE M	-	72020503	UNIVERSAL MOUNT / ECLIPSE	-

Part	Description	OS	Part	Description	OS
72020510	WATER BOTTLE CAGE	-	98100216	DECK PAD ECLIPSE 10.5 REPLACEM	-
72020511	QUAD LOCK UNI PHONE MOUNT	-	98100217	DECK PAD ECLIPSE 12.0 REPLACEM	-
72026103	SPEAKER BLUE TOOTH AND 4GB	-	98100218	ECLIPSE STEERING CBL SET-CMPLT	-
72040011	RHINO UNIVERSAL SIDE LOADER	-	1553CR	CROAKIES "HOBIE"	-
72040012	RHINO NAUTIC KAYAK LIFTER	OS	1553L	LID LATCH MULTI-COLOR	-
72040013	RHINO 2" RECEIVER T-LOADER	OS	23216084-28	PADDLE, AL STRETCH	-
72040014	RHINO 2" BALL T-LOADER	OS	3850LG	HOBIE SPRAY TOP LG	-
72042001	TIE DOWN STRAPS HOBIE- 12 FOOT	-	3850MD	HOBIE SPRAY TOP MD	-
72043001	TIE DOWN STRAPS HOBIE- 15 FOOT	-	3850SM	HOBIE SPRAY TOP SM	-
72050001	BOARD COVER - ECLIPSE 12.0	-	3850XL	HOBIE SPRAY TOP XL	-
72050002	BOARD COVER - ECLIPSE 10.5	-	470145-10	HOBIE SUP LEASH COIL 8'	-
72050005	RAIL PROTECTION KIT, ECLIPSE	-	5030LXL	HAT, HOBIE PATCH OLIVE/BLACK	-
72050011	COVER - ECLIPSE DRIVE	-	5030SM	HAT, HOBIE PATCH OLIVE/BLACK	-
72050012	BOW HANDLE KIT, ECLIPSE	-	5033LXL	HAT, HOBIE PATCH GRAY/BLACK	-
72050013	ECLIPSE NOSE-RAIL GUARD KIT	-	5033SM	HAT, HOBIE PATCH GRAY/BLACK	-
74049001	T- HANDLE, PADDLE	-	72000B	POUCH GUSSETED 6x12	-
74052001	HOBIE FISH ROD LEASH- WEBBING	-	72005B	POUCH SUPER GUSSETED 8x15	-
74052101	LEASH KIT - MIRAGEDRIVE	-	72210L	VIEW DRY BAG VENTED 10L	-
79545001	DECAL, HOBIE DOME, GOLD 2.75"	-	72230L	VIEW DRY BAG VENTED 30L	-
80045101	i-SERIES / ECLIPSE PLUG-IN CAR	-	80035A	ANCHOR w/BAG & LINE (3.5 LB)	-
80045201	i-SERIES / ECLIPSE TRAX PLUG-I	-	MK0046	HOBIE CAUTION FLAG	-
80047201	CART C-TUG KAYAK CART	-	MK0053	SAFTEY WHISTLES	-
84621001	CUP HOLDER / H-RAIL	-	P23074075-10	PADDLE, BLK INFLATABLE SUP EXP	-
84622001	MOUNTING PLATE / H-RAIL	-	RS014BLK	SHOCKCORD 1/4" BLACK	-
84623001	TACKLE BIN / H-RAIL	-	RS316BLK	SHOCKCORD 3/16" BLACK	-
84625001	ROD RACK / H-RAIL (ONE)	-	S6100LG	PFD THINBACK MANGO - LARGE	-
87369116	BOOK, HOBIE-MASTER OF WATER,	-	S6100MD	PFD THINBACK MANGO - MEDIUM	-
98100002	HANDLE / ECLIPSE	-	S6100XL	PFD THINBACK MANGO - X LARGE	-
98100003	SCREW TH-STL M6x25	-	S6101LG	PFD THINBACK RED - LARGE	-
98100009	SHOULDER BOLT 1/4-28 X 1/2	-	S6101MD	PFD THINBACK RED - MEDIUM	-
98100010	MIRAGEDRIVE, ECLIPSE	-	S6102XL	PFD THINBACK GR GREEN - X LARG	-
98100013	CAM ASSY ECLIPSE	-	S6110LG	PFD THINBACK MANGO (W) LG	-
98100016	SPRING ECLIPSE CAM MIR WELL ST	-	S6110MD	PFD THINBACK MANGO (W) MD	-
98100017	SPRING ECLIPSE CAM MIR WELL PO	-	S6110SM	PFD THINBACK MANGO (W) SM	-
98100020	HANDLEBAR ASSY - ECLIPSE	-	S6114LG	PFD THINBACK BLUE (W) LG	-
98100021	HANDLEBAR ASSY, NON-ADJ ECLIPS	-	S6114MD	PFD THINBACK BLUE (W) MD	-
98100027	CRANK ASSY ECLIPSE	-	S6114SM	PFD THINBACK BLUE (W) SM	-
98100031	RUDDER ECLIPSE	-	S6120LXL	PFD EDGE RED LG/XL	-
98100037	FAIRING MIRAGE DRIVE V2	-	S6120SMD	PFD EDGE RED SM/MD	-
98100042	CALIPER HANDLE OVERMOLDED	-	S6120XXL	PFD EDGE RED XXL	-
98100045	CALIPER SPRING	-	S6770CMG	PFD CHILD MANGO 30-50#	-
98100057	CRANK PAD ECLIPSE	-	S6770IMG	PFD INFANT MANGO <30#	-
98100063	CAM, HANDLEBAR LOCK	-	S6770YMG	PFD YOUTH MANGO 50-90#	-
98100082	MAST ECLIPSE	-	S6771CLG	PFD CHILD LIME GREEN 30-50#	-
98100088	SCREW 8-32 X 1/4 PHMS SS	-	S6771ILG	PFD INFANT LIME GREEN <30#	-
98100090	SCREW 5/16-18 X 1.375 BHCS BLK	-	S6771YLG	PFD YOUTH LIME GREEN 50-90#	-
98100091	OUTHHAUL BLOCK ECLIPSE	-	S6779R	PFD INFLATABLE REARM KIT 24g	-
98100098	SCREW 1/4-20 X 5/8 BHCS	-	S6780R	PFD INFLATABLE REARM KIT 16g	-
98100200	RUDDER HOUS ASSEMBLY ECLIPSE	-	S6780RG	PFD BELT PACK INFLATABLE RED/G	-
98100202	WIRE STEERING SET ECLIPSE (L/R	-	S6782BL	PFD INFLATABLE BLUE - 24g	-
98100203	DRUM, ECLIPSE DRIVE w/DECAL	-	S6782GR	PFD INFLATABLE GREEN - 24g	-
98100204	HANDLE, QR ASSEMBLY ECLIPSE	-	S6782RD	PFD INFLATABLE RED - 24g	-
98100205	CAM LOCK ASSEMBLY ECLIPSE	-	S6782TN	PFD INFLATABLE TAN - 24g	-
98100206	SPROCKET ASSEMBLY ECLIPSE	-	S6783BL	PFD BELT PACK INFLATABLE BLUE	-
98100207	FLOW FIN ASSEMBLY	-	S6783YL	PFD BELT PACK INFLATABLE YELLO	-
98100208	MAST ASSEMBLY ECLIPSE	-	S6800LXL	PFD MIRAGE GRAY - LARGE/XL	-
98100209	PEDAL PAD SET, ECLIPSE R/L	-	S6800MLG	PFD MIRAGE GRAY - MEDIUM/LG	-
98100210	CONTROL LINE, SUM w/KNOT COVER	-	S6800SMD	PFD MIRAGE GRAY - SMALL/MED	-
98100211	BUNGEE ECLIPSE RUDDER WELL	-	S9000LG	PET PFD LG MANGO 60-90#	-
98100212	PEDAL ASSY (R) ECLIPSE	-	S9000MD	PET PFD MD MANGO 24-60#	-
98100213	PEDAL ASSY (L) ECLIPSE	-	S9000SM	PET PFD SM MANGO 12-24#	-
98100214	PAD, HANDLEBAR 10.5	-	S9000XL	PET PFD XL MANGO >90#	-
98100215	PAD, HANDLEBAR 12.0	-	S9000XS	PET PFD XS MANGO <12#	-



Hobie

HOBIE CAT COMPANY

Holding Company
Oceanside, CA, U.S.A.
1-800-HOBIE-49
hobie.com

HOBIE CAT AUSTRALASIA

Subsidiary
Huskisson, NSW, Australia
1-800-4-HOBIE
hobie.com

HOBIE CAT EUROPE

Subsidiary
Toulon, France
+33 (0) 494 08 78 78
hobie.com

HOBIE CAT BRASIL

Independent Distributor
Porto Belo, Santa Catarina, Brasil
+55 (47) 9746-9735
hobie.com



MIRAGE ECLIPSE® PARTS & ACCESSORIES

INTERNATIONAL 87367145