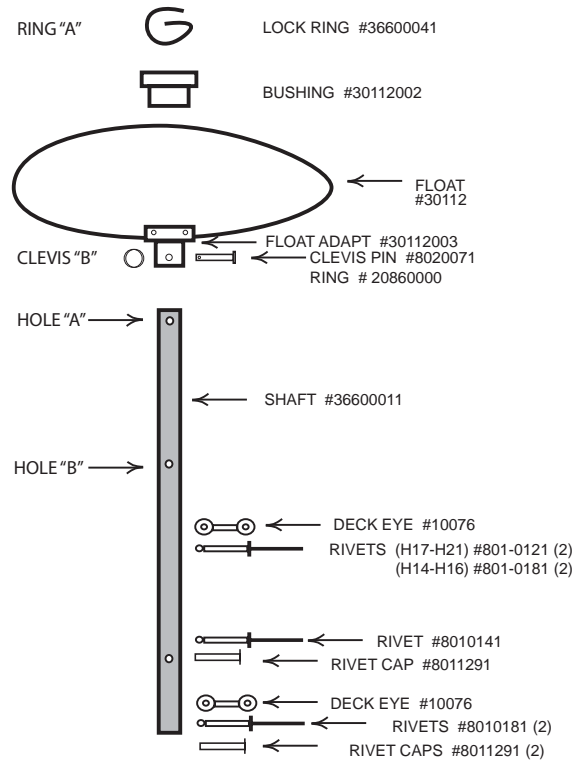
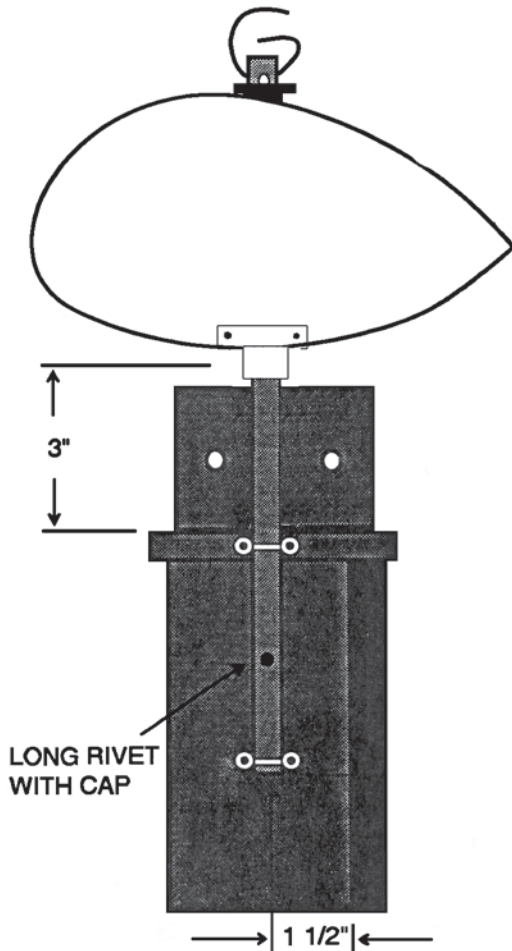


- 1) Assemble all parts onto shaft.
- 2) Place lower end of shaft against mast.
- 3) Align as shown in diagrams below.
- 4) Drills needed: 15/64" when using caps.  
3/16" for rivets only.



## H-14 / H-16



Position as shown.

Be sure Float is above mast head.

Drill mast and rivet single (long rivet with cap) to hold location. Bend eye straps to conform to your mast curve.

Rivet lower strap (use shorter rivets and seal caps).

Rivet upper strap (without seal caps) (use long rivets for 17, 18, 20 & 21), this is above seal.

## H-17 / H-18 / H-20 / H-21

