



Hobie® Mirage®  
Pro Angler 17T Manual



In 1950, Hobie's dream was born in his parents' garage when he decided to apply his love of woodworking to the sport of surfing. Dad backed out the Buick... Hobie carved out his very first surfboard...

Hobie's business of fun had begun.

Anatomy .....	5
Assembly .....	6
MirageDrive® .....	8
On The Water .....	12
Vantage Seating .....	13
Fishfinder Option .....	19
H-Rail System .....	27
Storage and Transport .....	31
Maintenance and Care .....	34
Kick Up Adjustment .....	36
Safety .....	37
Warranty .....	39

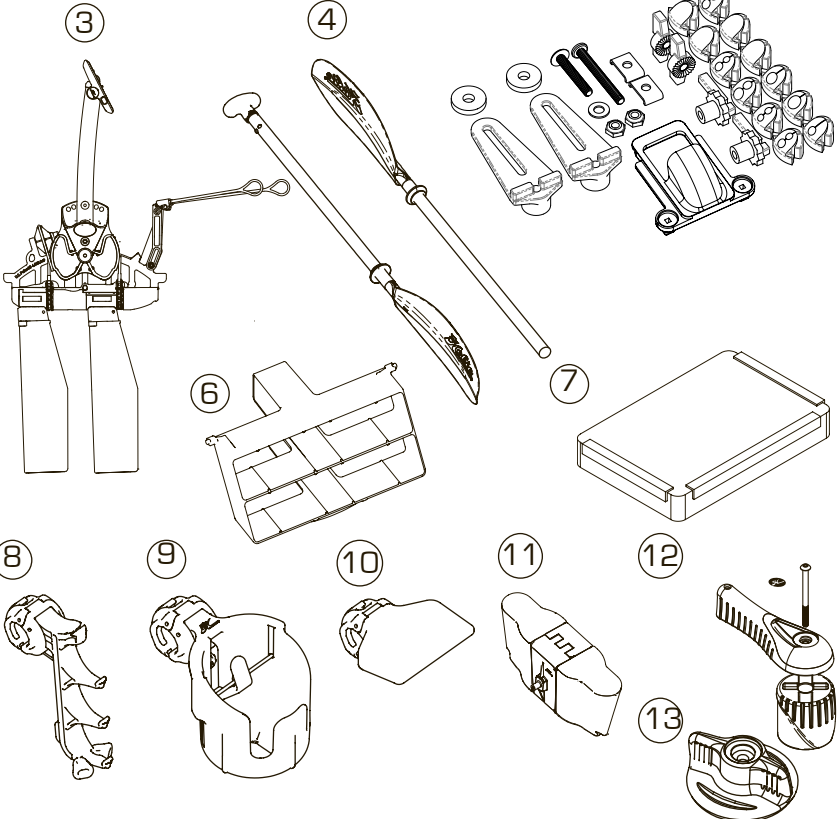
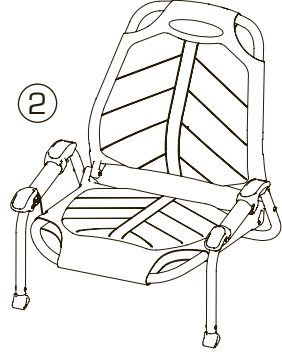
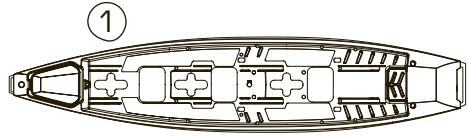


Look for this icon. Online video is available at  
[www.hobie.com/support/](http://www.hobie.com/support/)

Please read the instruction manual before using this product



1. Hull
2. 2X Vantage XT Chair
3. 2X MirageDrive 180
4. Paddle and T-Handle
5. Lowrance Ready Components
6. 2X Tackle Management Rack
7. 2X Plano® 3640 Tackle Boxes
8. 2X H-Rail Rod Rack
9. 2X H-Rail Cup Holder
10. 2X H-Rail Mounting Plate
11. 2X Mirage Cassette Plug
12. 3X Steering Handle Components
13. Secondary Steering Handle

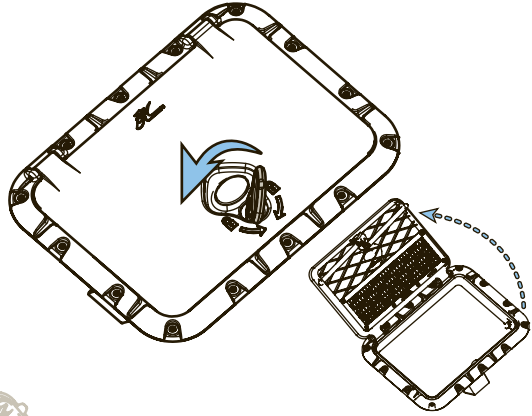


Items not shown to scale

## Tackle Management Rack Installation

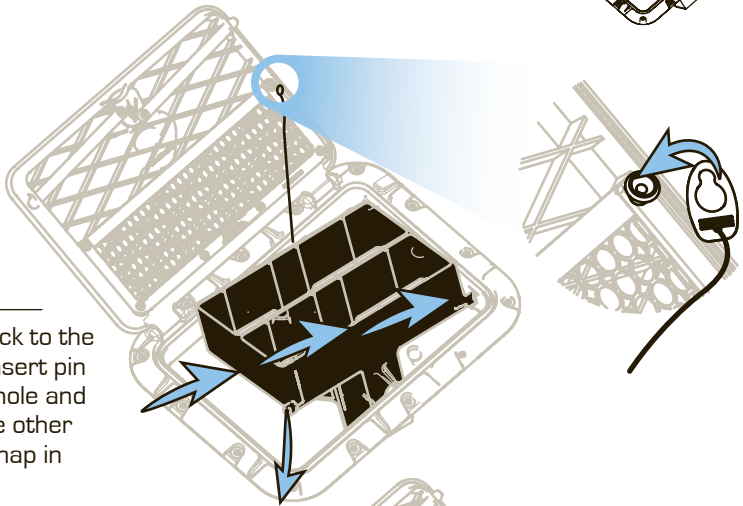
①

Twist handle counter-clockwise and open lid



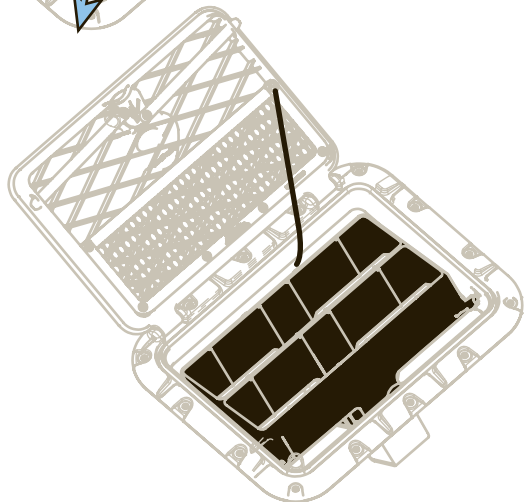
②

Press rack to the side to insert pin into the hole and lower the other side to snap in place.



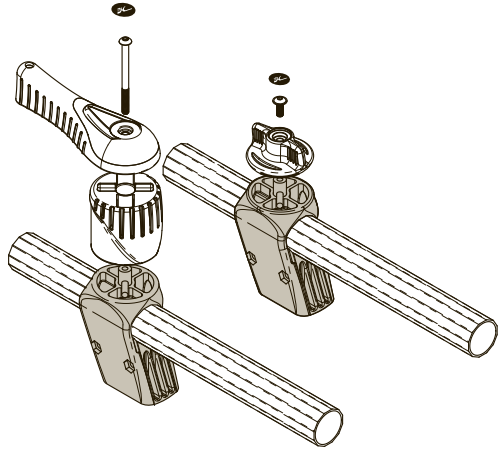
③

Secure clip to post



## Steering Handles

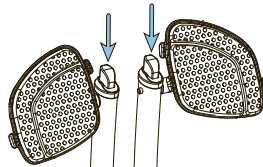
The steering handles and steering knob can be installed in different positions per your preference



## MirageDrive Cranks

①

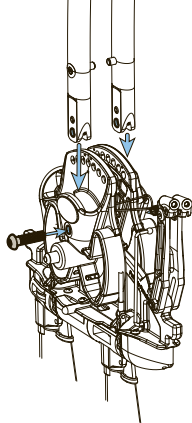
Insert cranks into drums while depressing button at top.



②

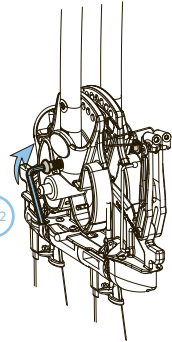
Tighten crank bolt all the way (snug not tight) using a 9/16" or 15mm wrench

①



②

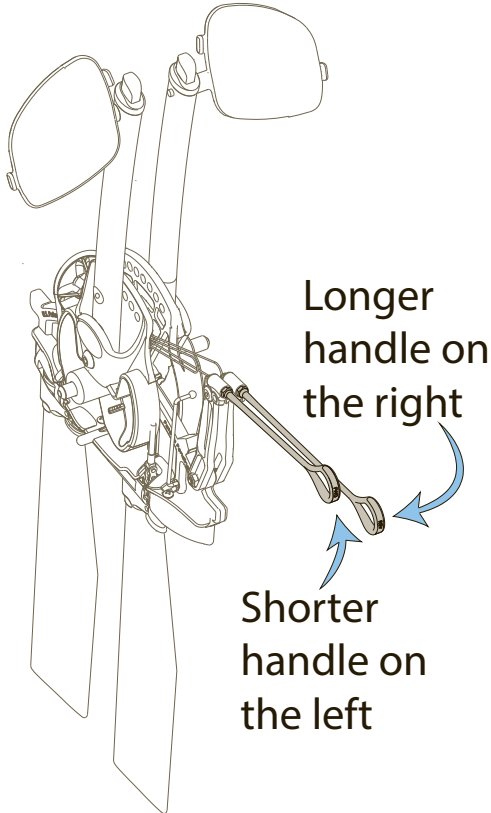
7/32



### FWD/REV Handle Installation

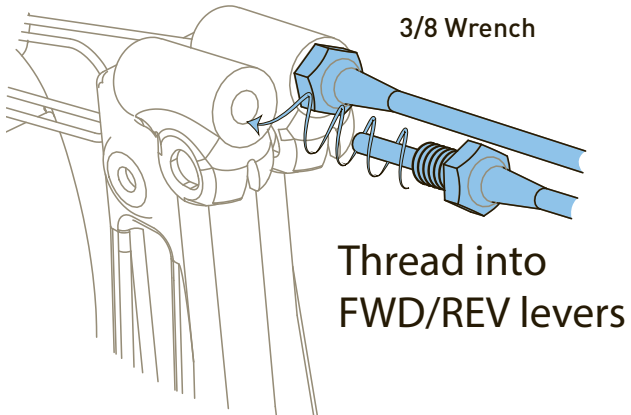
①

Line up the shorter (FWD) handle on the left and the longer (REV) handle on the right



②

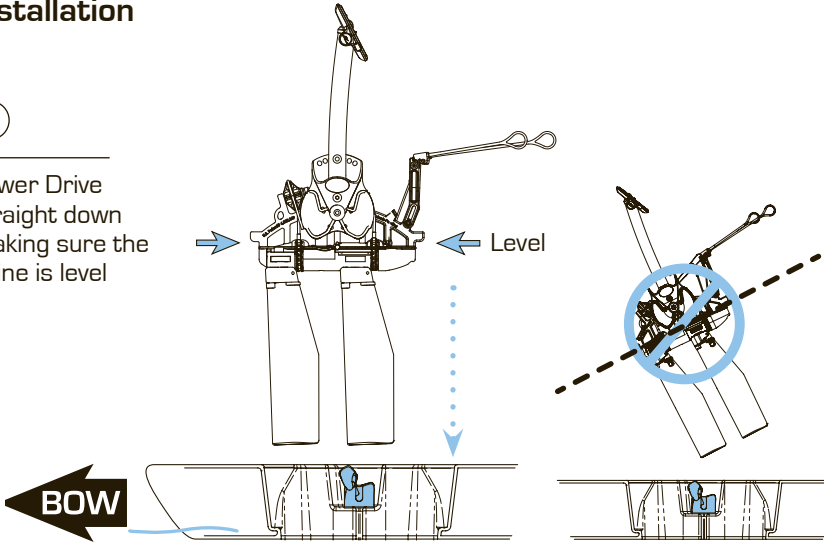
Screw in both pull handles into the levers on the MirageDrive using a 3/8" wrench



## Installation

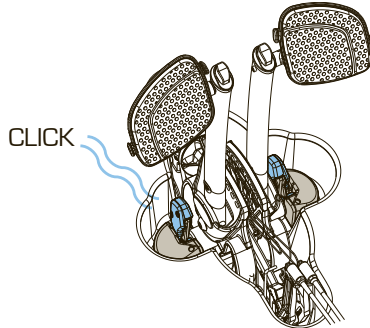
①

Lower Drive straight down making sure the spine is level



②

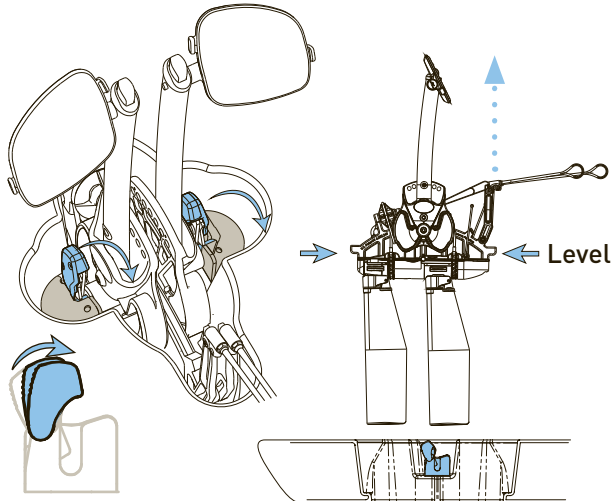
Press down and lock Drive into Click and Go's



## Removal

①

Pull back each Click and Go lever



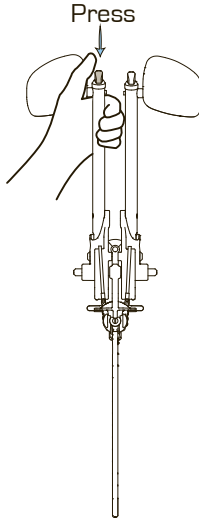
②

Lift Drive straight up

## Pedal Adjustment

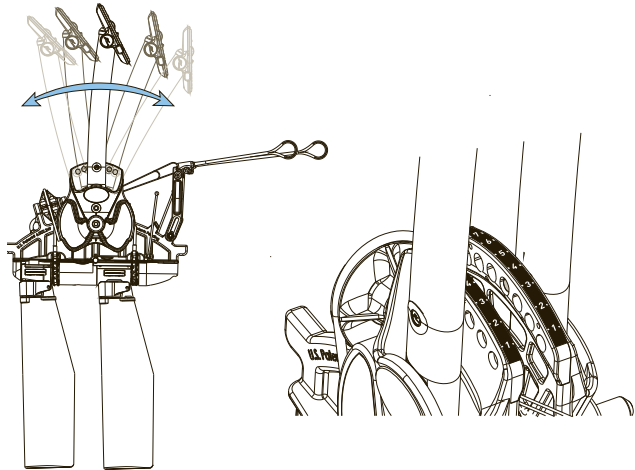
①

Press the adjuster button at top of crank.



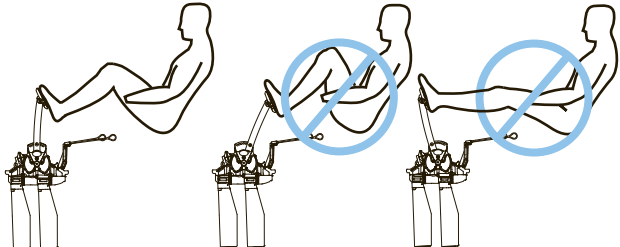
②

Adjust cranks by rotating them into the desired position. Make sure both cranks are in the same position number.



③

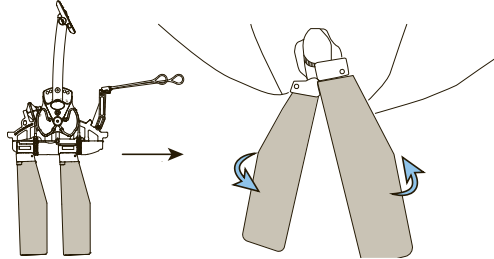
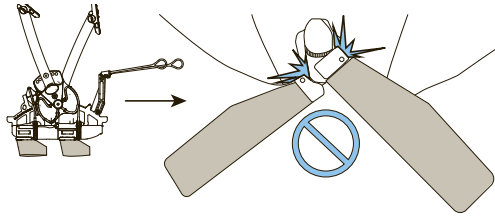
With both feet on the pedals together (fins straight down), your knees should be comfortably bent and not over-crunched or extended.



## Reverse

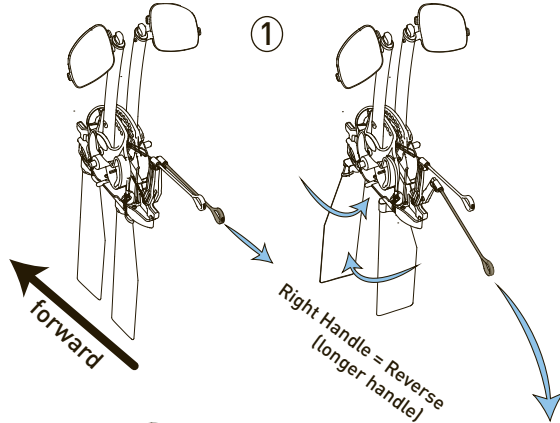


Shifting with the fins too far apart can cause interference with the shift. Pull with firm pressure while the pedal cranks are close together.



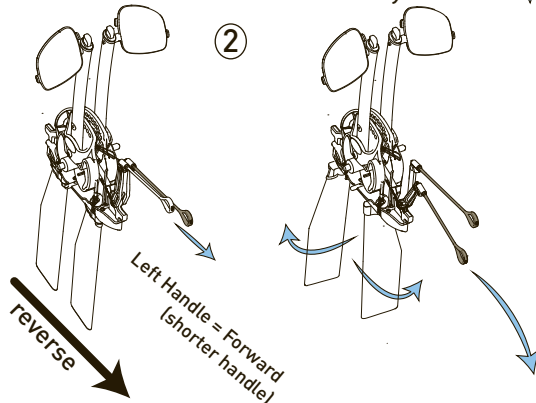
①

Pull the right handle to shift the drive into reverse. (This is the longer handle of the two)

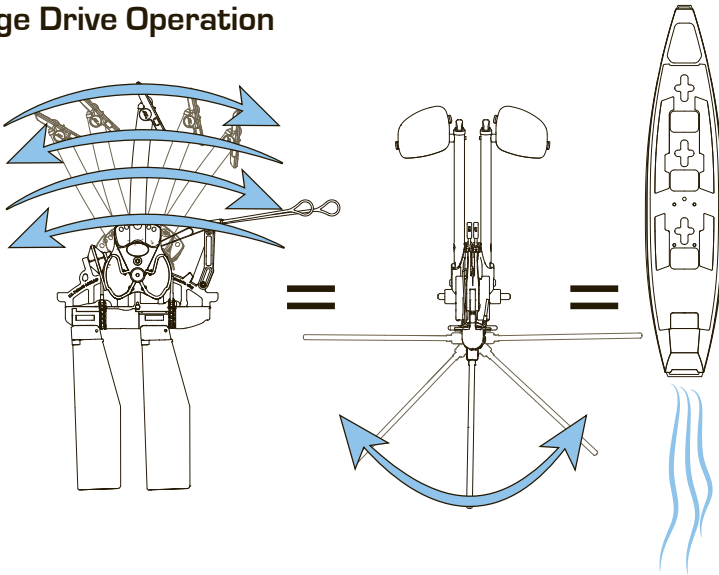


②

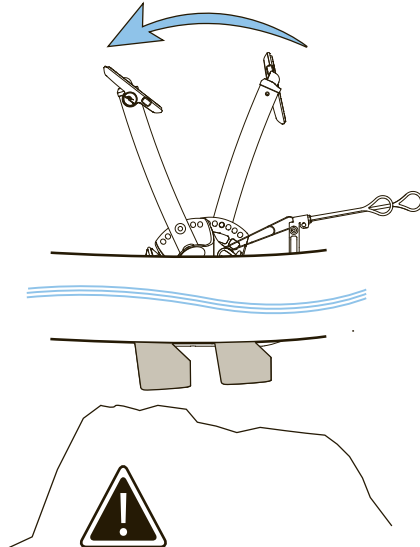
Pull the left handle to flip the drive into forward.



## Miage Drive Operation

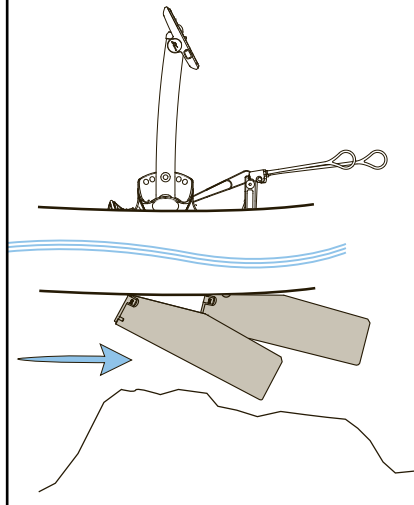


### Shallow Water and Beaching



Press either pedal forward in shallow water to raise fins. Pressing one pedal fully forward will orient the fins with the kayak underside.

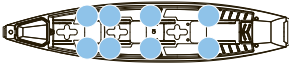
### Kick Up Fins



The kick up fins will automatically retract backwards when coming in contact with any object and resume their normal position when clear of obstruction and you pedal.

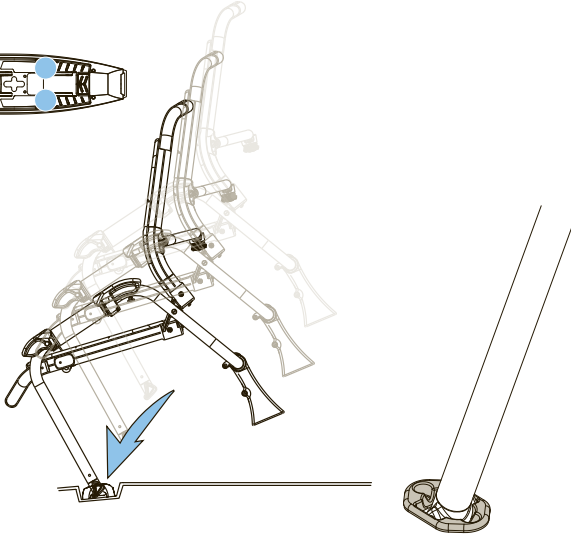


## Installation



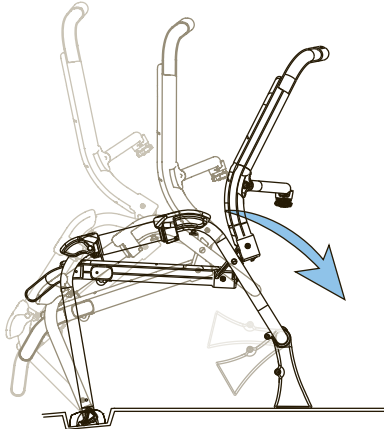
1

Lock chair feet to boat.



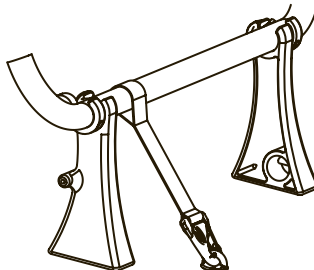
2

Pivot chair onto kickstand.



3

Hook seat safety strap to the pad eye behind the seat.

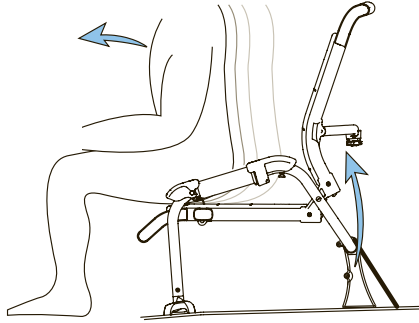


## Lowering



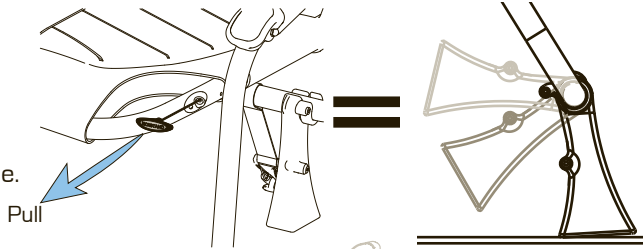
①

Shift weight forward and tilt seat up.



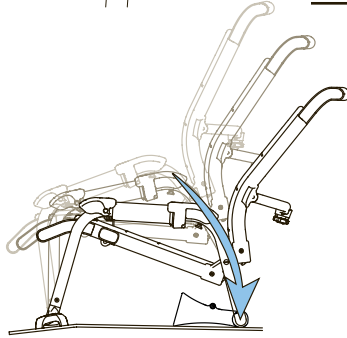
②

Pull and hold kickstand handle.



③

Lean back to lower seat.



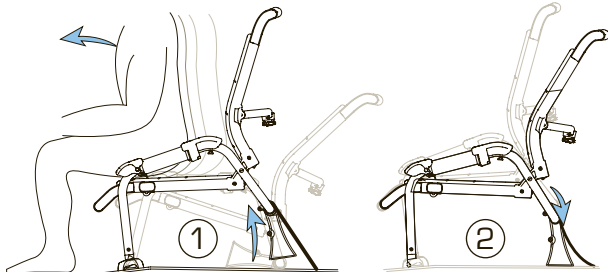
## Raising

①

Shift weight forward and tilt seat up.

②

Lean back to lower seat onto kickstand.



## Back and Bottom Adjustment



①

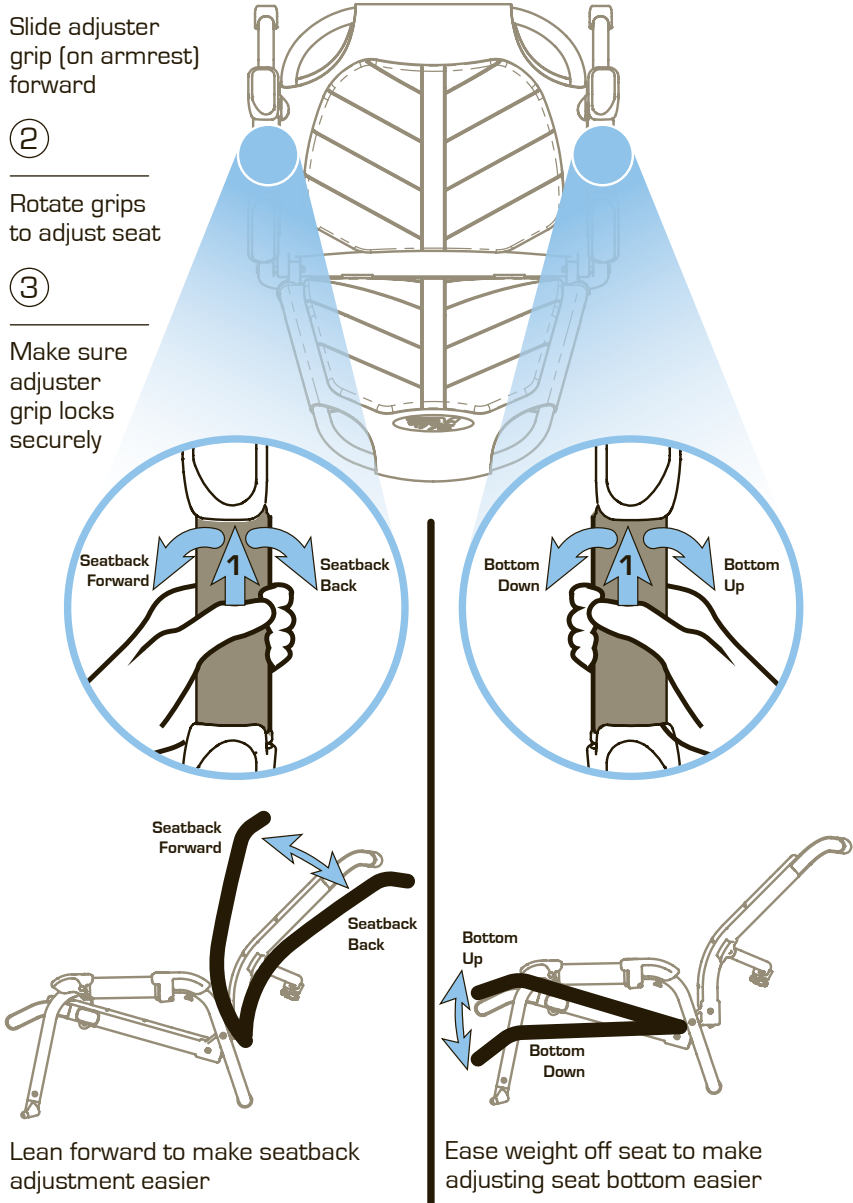
Slide adjuster grip (on armrest) forward

②

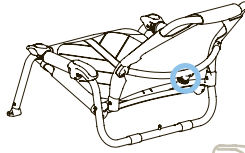
Rotate grips to adjust seat

③

Make sure adjuster grip locks securely

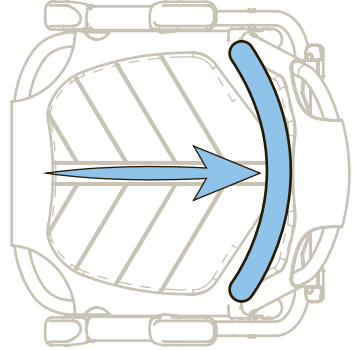
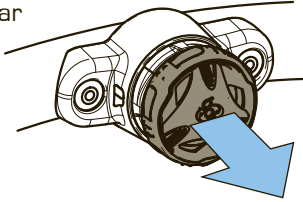


## Lumbar Adjustment



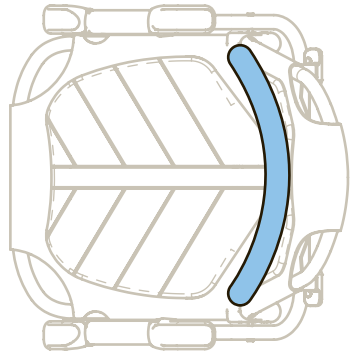
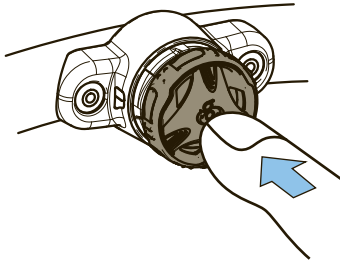
①

Pull knob to release lumbar



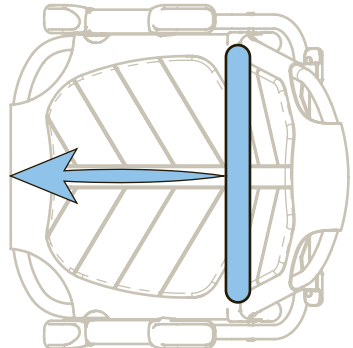
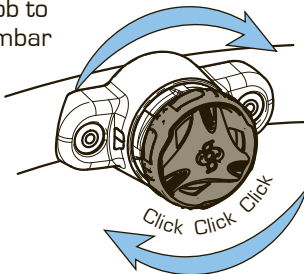
②

Press knob to lock lumbar

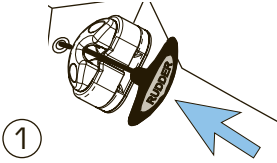


③

Rotate knob to tension lumbar

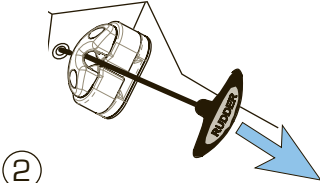
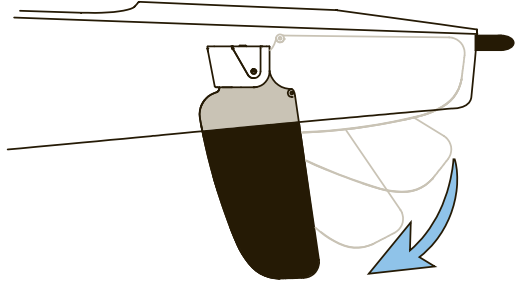


## Rudder Down and Up



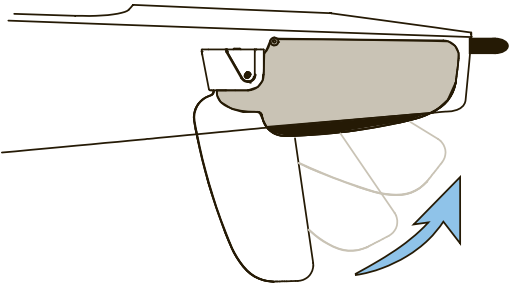
①

Uncleat and release.

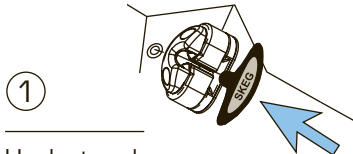
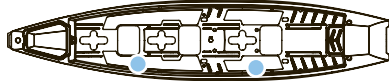


②

Pull and cleat

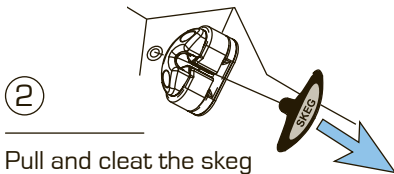
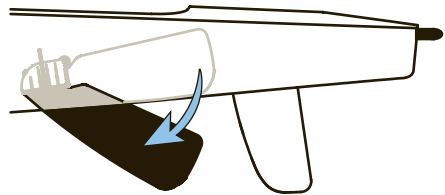


## Skeg Operation



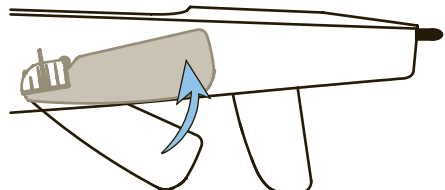
①

Uncleat and release the skeg line to lower the skeg and have the boat track straight



②

Pull and cleat the skeg line to have the boat be more maneuverable



## Rudder Line Tension

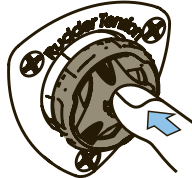
①

Pull knob to  
release rudder  
line



②

Press knob to  
lock rudder line



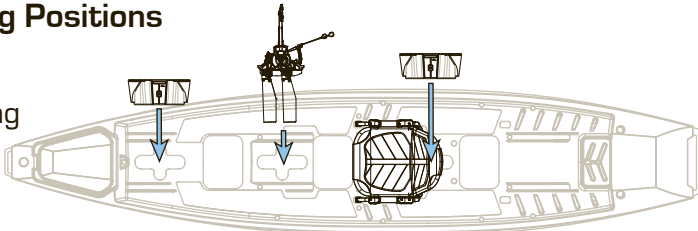
③

Rotate knob to  
tension rudder line

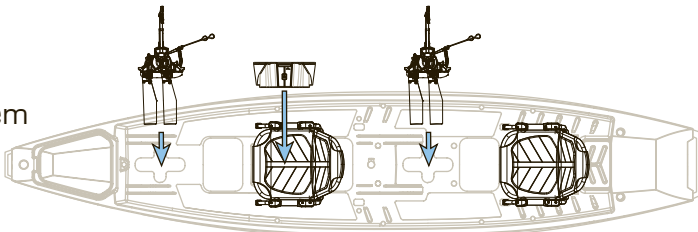


## Seating Positions

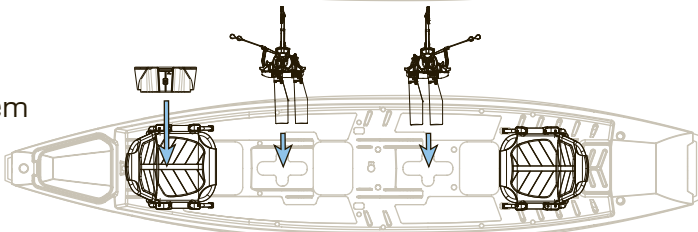
Single  
Seating



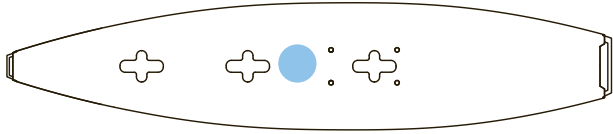
In-line  
Tandem



Social  
Tandem

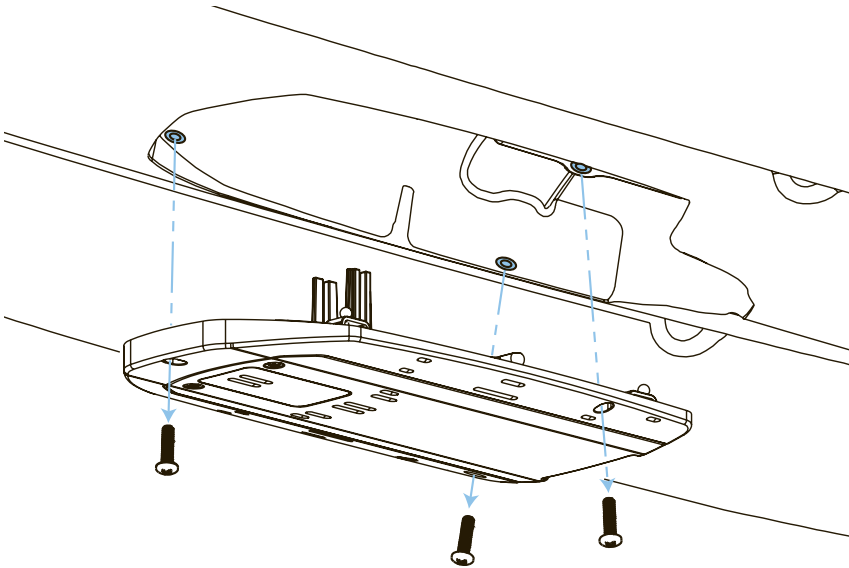


## Transducer Installation



1

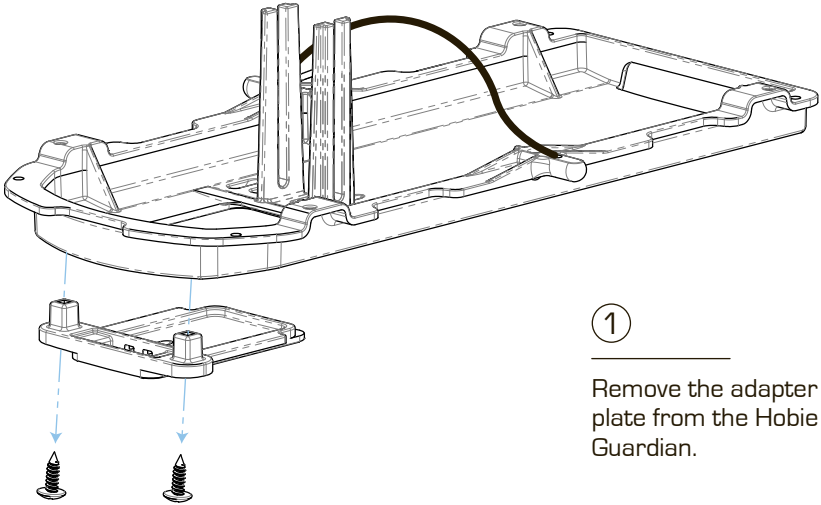
Remove the Hobie Guardian shield from hull by unthreading the three screws fastening the shield to the kayak.



2

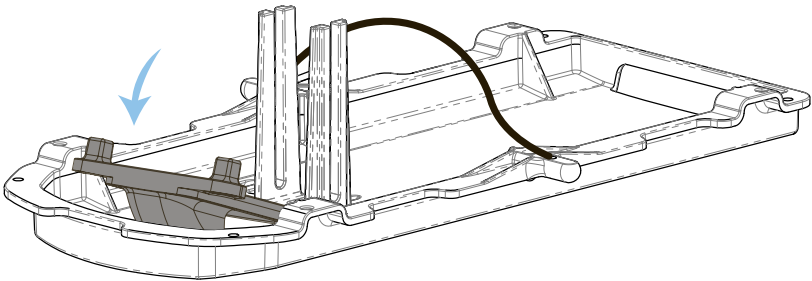
For Skimmer style transducer installation, skip forward to page 24. For side imaging transducer installation continue on to the next page.

## Side Imaging Transducer Installation



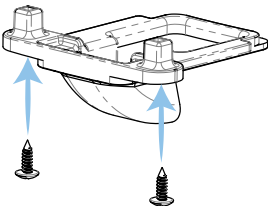
①

Remove the adapter plate from the Hobie Guardian.



②

Insert the transducer guard and install the fasteners from the bottom of the Guardian plate.



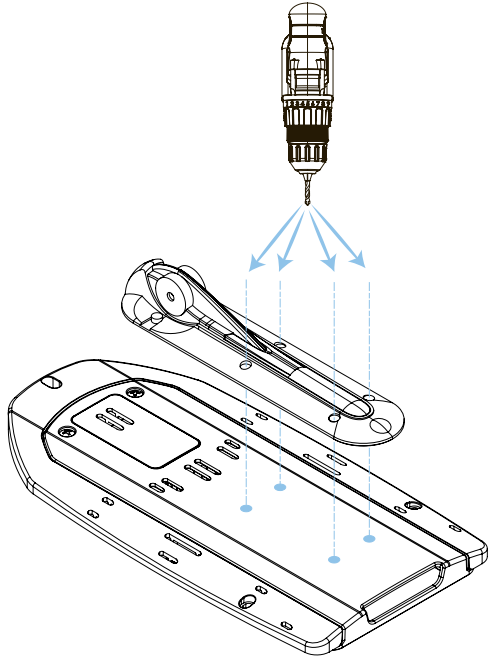
③

Install the fasteners from the bottom of the Guardian plate.



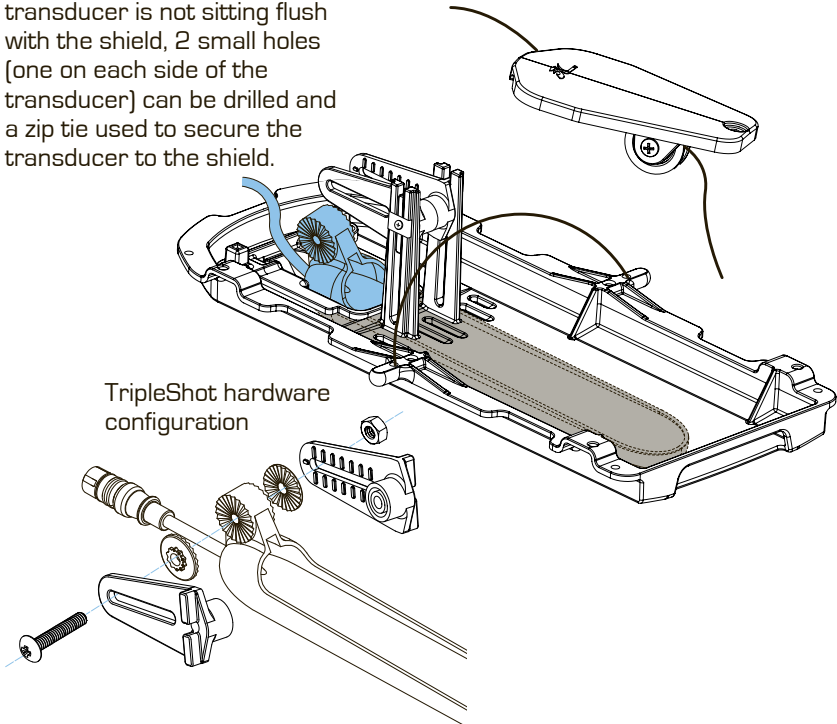
③

For most side imaging transducers, we recommend using the mounting bracket included with your fish finder as a drill template for creating mounting holes in the Guardian plate.



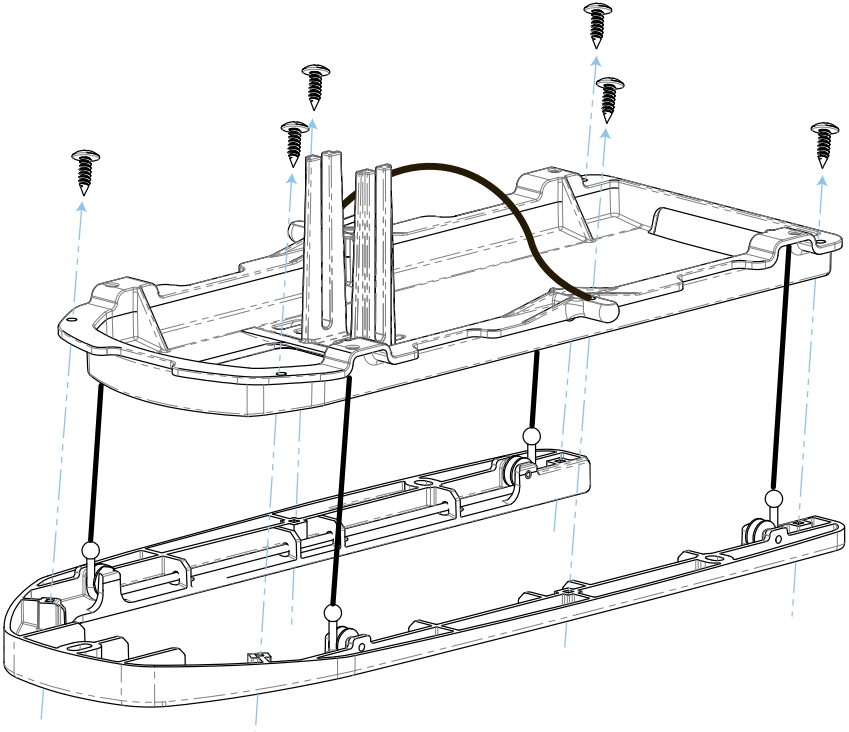
④

Some side imaging transducers, like the Lowrance TripleShot, will mount through the bottom of the transducer guard and to the post on the inside of the Guardian plate. For these units, refer to the Skimmer Style Transducer Installation. If the transducer is not sitting flush with the shield, 2 small holes (one on each side of the transducer) can be drilled and a zip tie used to secure the transducer to the shield.



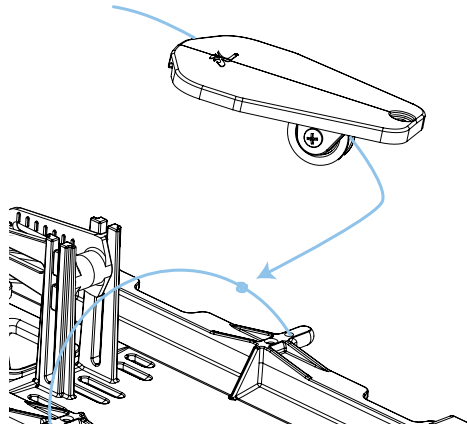
⑤

After mounting your side imaging transducer to the Guardian plate, you can choose to activate its retraction feature. Remove the screws holding the mounting plate to the Guardian frame.



⑥

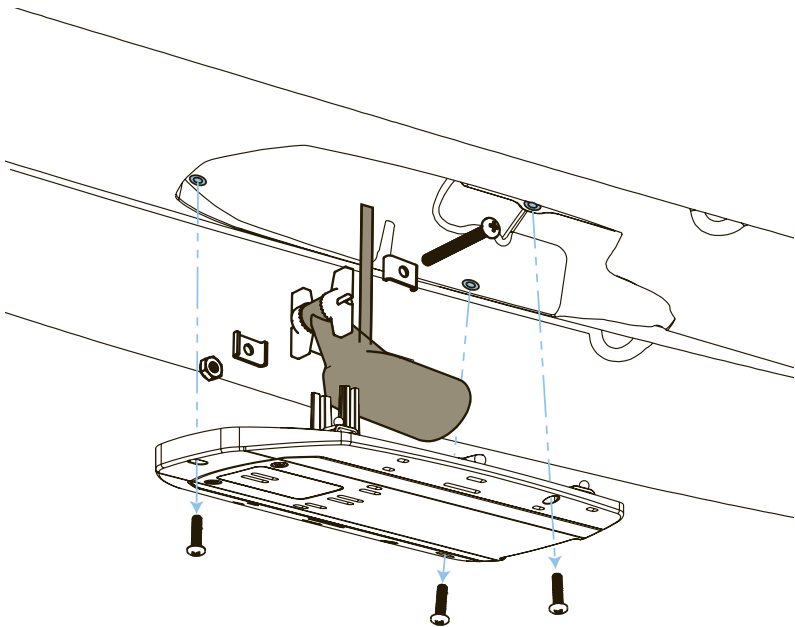
Attach the retraction line (tied to the cover plate) to the bridle line for up down control.



## Skimmer Transducer Installation

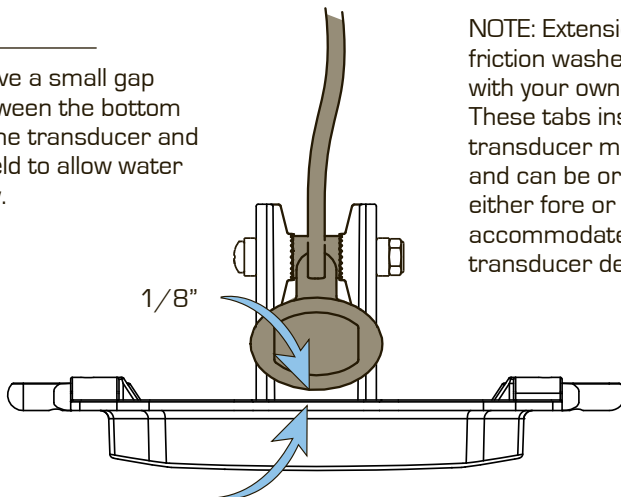
①

Skimmer style transducers will mount to the posts inside the transducer cavity using the hardware that comes with the Kayak's Owners Manual.



②

Leave a small gap between the bottom of the transducer and shield to allow water flow.



NOTE: Extension tabs and friction washers are included with your owner's manual. These tabs install to the transducer mounting post and can be oriented to face either fore or aft to accommodate a variety of transducer designs.

## Run the Transducer Cable

①

Once the transducer is installed, feed the transducer cable through the scupper hole above the cavity and screw the plate back into place.

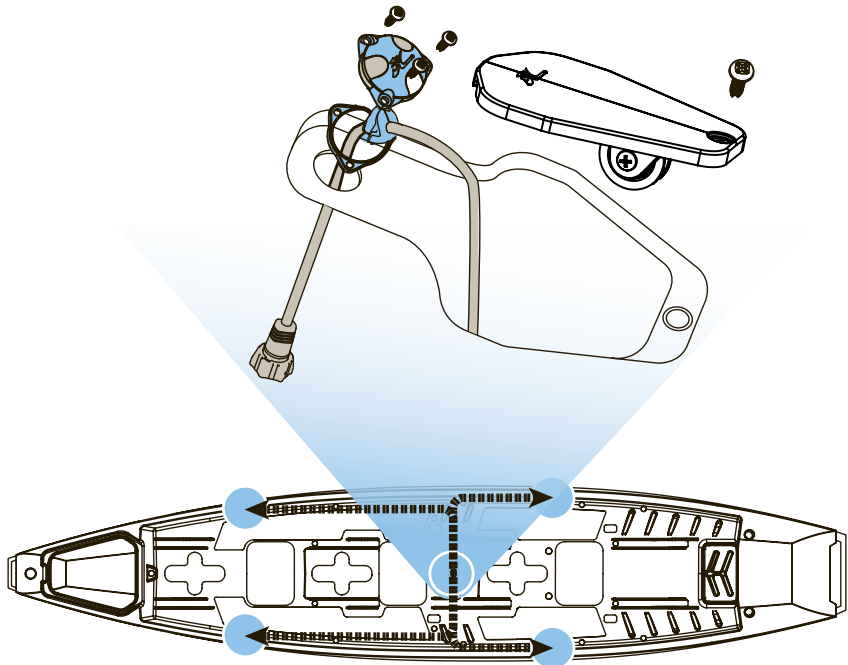
You should now have the transducer cable accessible in the cockpit of the kayak.

②

Remove the plug next to the scupper above the transducer cavity using a phillips head screwdriver. Feed the cable through the gasket and into the hull. Find the rubber adapter that matches the diameter of the transducer cable and fit it to the cable. Attach the adapter and cable to the plug and reinstall. Be careful not to overtighten and strip the screws.

**TIP:** Lubricate the cable with soapy water to allow it to slide through the rubber adapter more easily.

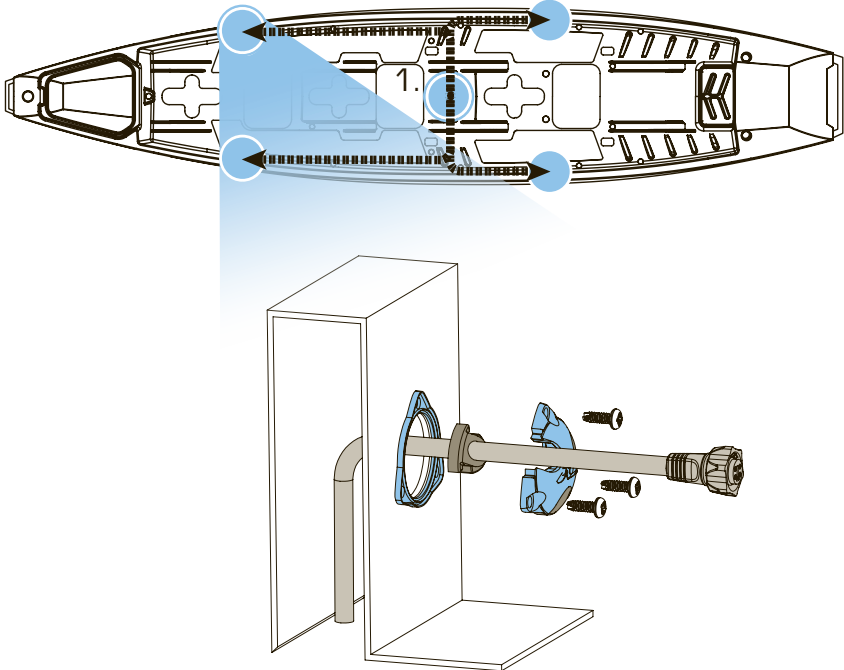
**NOTE:** Rubber adapters can be found in the kayak owner's manual.



③

Remove the 3-way plug in the cockpit. Lead the cable through the inside of the kayak and exit the cable out through the hole for the 3-way plug in the cockpit.

There are plugs for the wire to exit the hull on either side of the kayak to accommodate a right or left sided screen location. Some plugs are located in cup holder or mesh pockets.



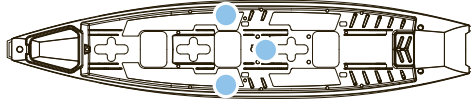
④

Using the same plug, install the power cable.

## Run the Power Cable and Attach the Thru-Hull Plug

①

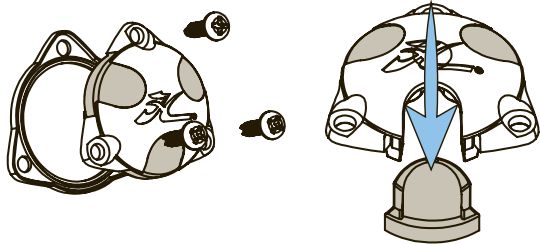
Run the power cable into the hole for the 3-way plug in the cockpit.



②

Choose the rubber adapter for your wire size and insert the power cable by opening the adapter along the slit.

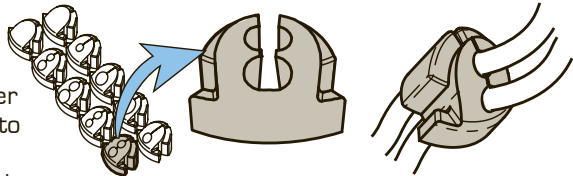
NOTE: Rubber adapters can be found inside the Hobie kayak owner's manual.



③

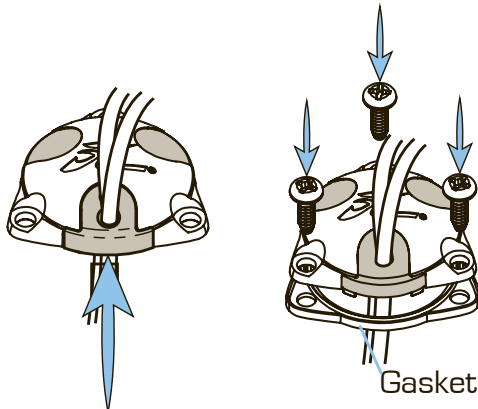
Press the rubber adapter with the wire installed into the plastic plug housing, making sure it fits snugly.

TIP: Lubricate the cable with soapy water to allow it to slide through the rubber plug more easily.



④

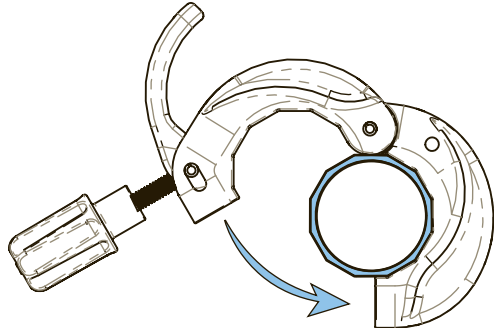
Once all the cables are run through the hull, fasten the thru-hull wire assembly to the hull. Hand-tighten the screws on the 3-way plug. Make sure the gasket is properly installed. Take caution to not overtighten the screws.



## Clamping

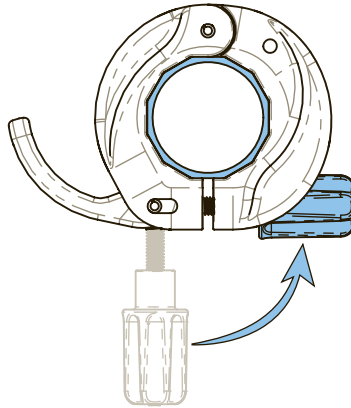
①

Clamp accessory  
around H-Rail Tube



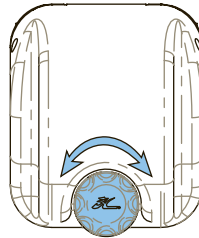
②

Lock tension knob



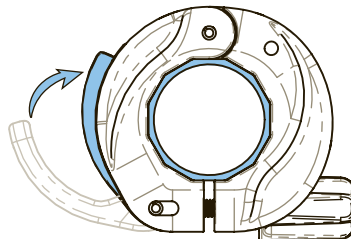
③

Tighten or loosen  
knob per your  
clamping require-  
ments



④

Close the lock  
lever. If the lever  
is difficult to close,  
loosen the knob in  
step 3



## Adjusting Clamp Position

①

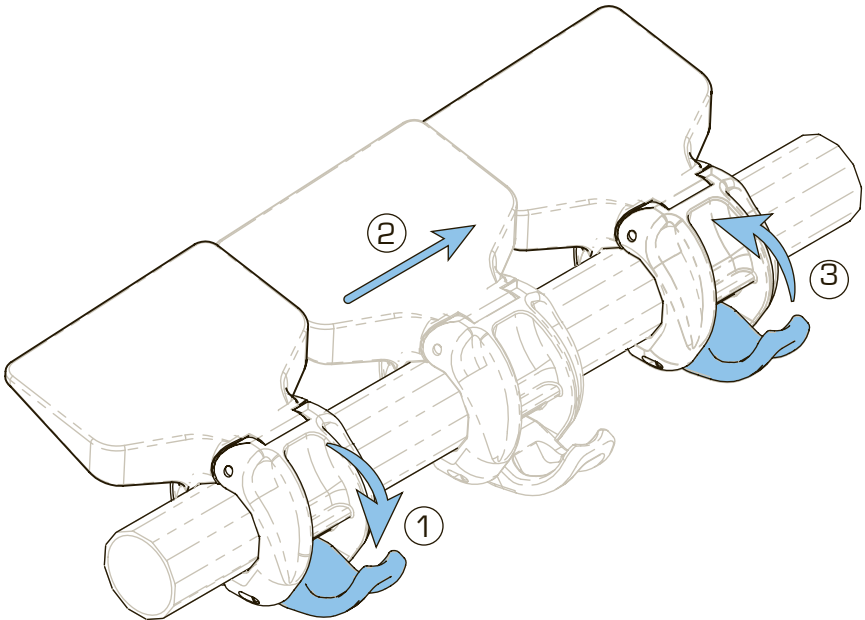
Unlock lever

②

Slide to new position  
and lock lever

③

Lock lever



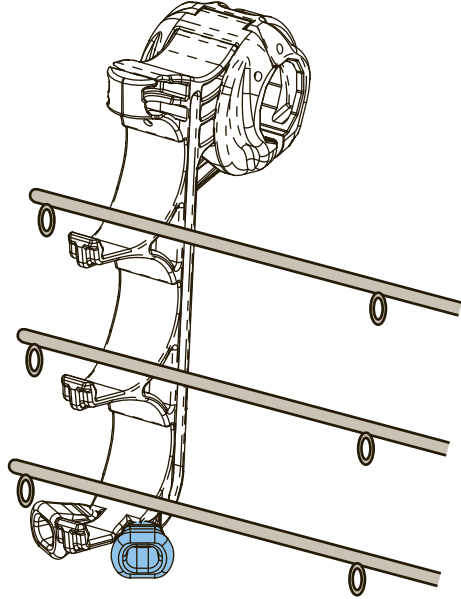


## Rod Rack Retainer

During launch or transport, you may want to keep your rods held in place using the horizontal rod rack

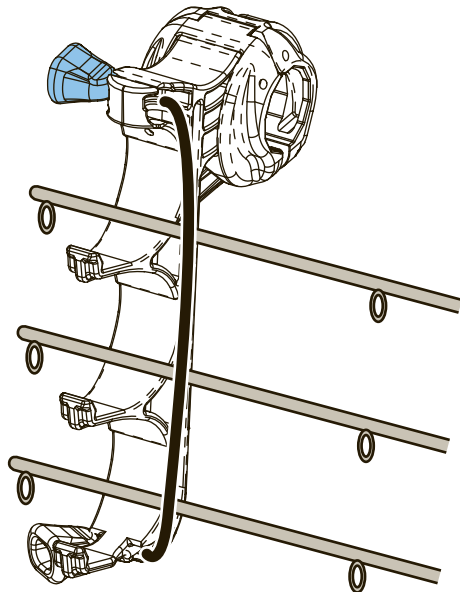
①

Lay your rods in the holders



②

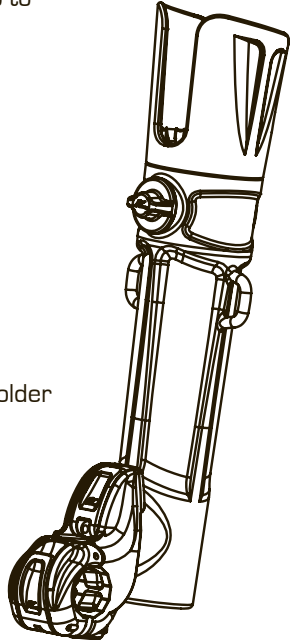
Stretch the bungee over the rods and hook at the top



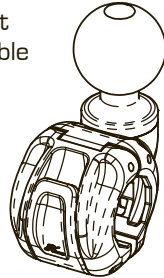
## Additional Accessories (Not included with boat)

Review your parts and accessory catalog for all of the latest H-Rail mounting accessories or go to <http://www.hobie.com/catalogs-brochures/>

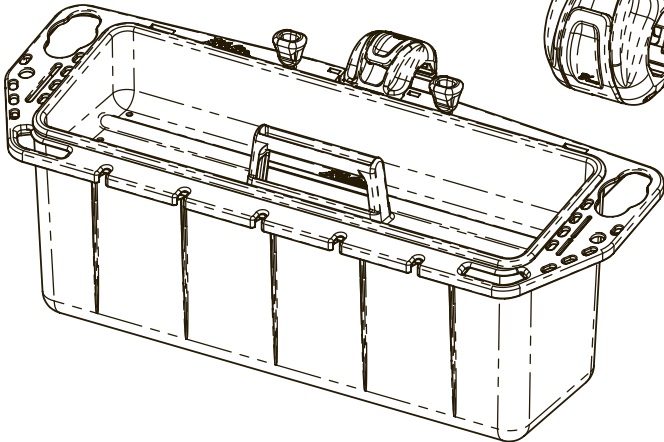
Rod Holder



®  
Ram Ball Mount  
1" and 1.5" available

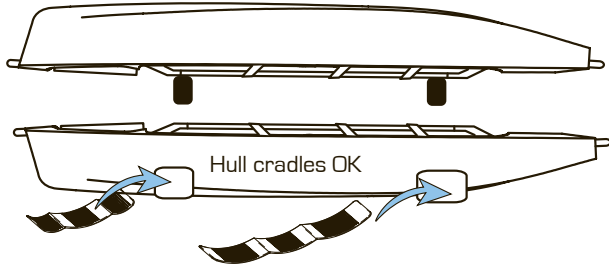


Tackle/Tool Box



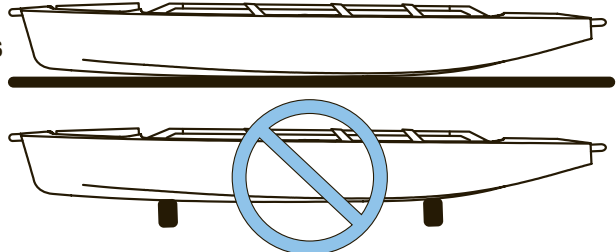
## Storage Do's

Storing your boat upside down on crossbars or hanging from wide strapping are two ways to keep the boat stored.

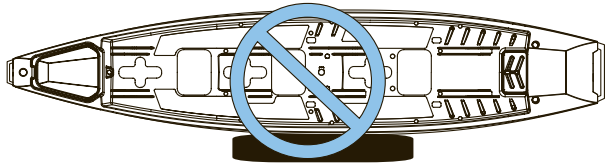


## Storage Don'ts

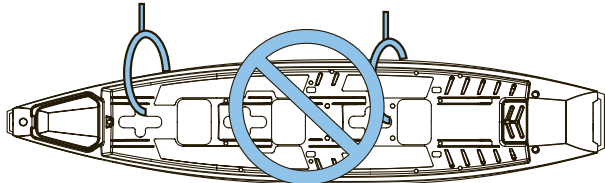
Storing your boat cockpit side up on crossbars can dent the bottom.



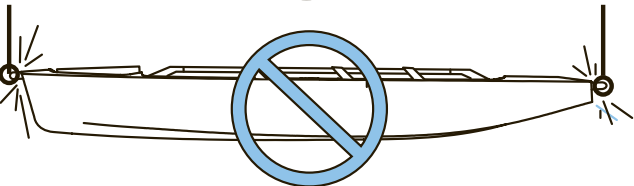
Storing your boat on its side over a long period of time can flatten/dent the sides.



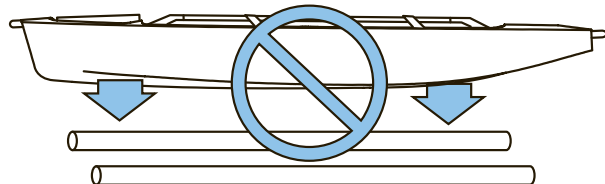
Hanging the boat by the scuppers can distort the scupper holes.



Never hang the boat by handles or pad eyes. They are not designed to handle long-term load and will fail.



Never use PVC runners or tubes to store boat on.

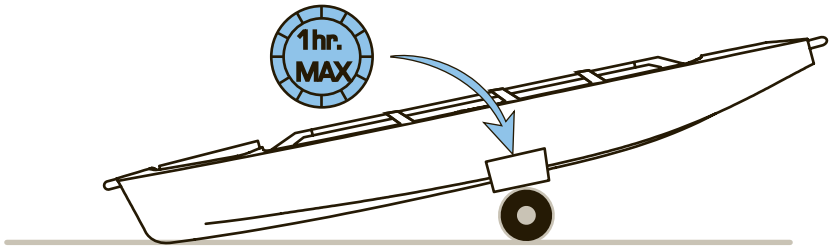


### Additional Storage Key Points

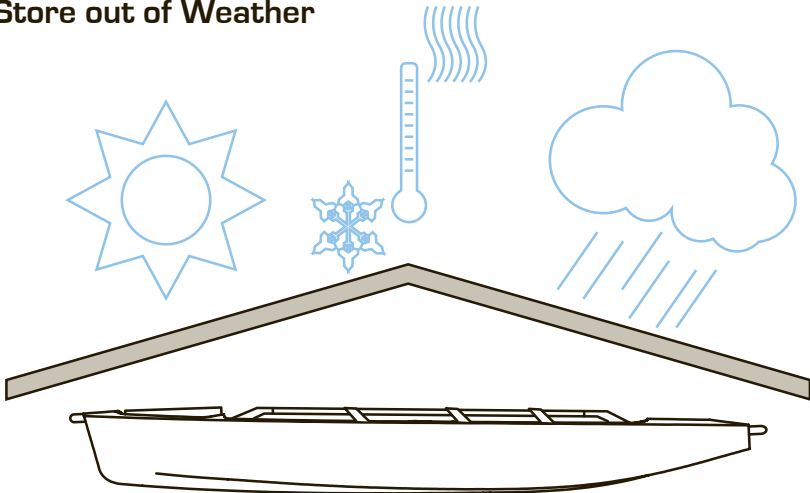
- Always open drain plugs and remove all water from boat
- Don't leave tie-down straps tight over a long period of time
- Storing in non-recommended configurations can result in hull damage and can void your warranty
- Never hang from handles or padeyes

### Dolly

The dolly should be used for transportation purposes only and not as a storage platform. Do not leave your boat on the dolly for more than one hour (less time in warmer temperatures or direct sunlight).



### Store out of Weather



Check [hobie.com](http://hobie.com) for optional storage covers.

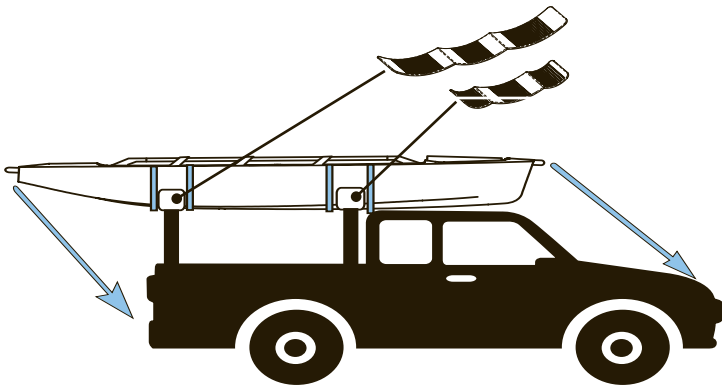
The best way to transport your boat is to purchase a trailer from your dealer. Using proper cradles that support the hull, the boat can be transported right side up. Straps can be passed over the deck and under the H-Rails and tied to the load bars. Straps should be tight, but not so tight that they distort the shape of the boat. Avoid using ratchet straps to prevent overtightening.



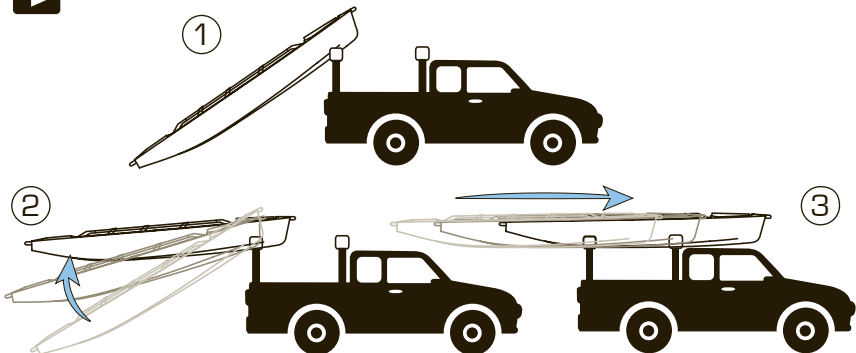
Be sure to first consult your car and roof rack owner's manual to ensure that you comply with all of their recommendations, precautions and specifications.

Running a line or strap from the bow and stern of the boat to each bumper is required. If your bumpers do not have a gap to pass a rope around, look underneath. There should be a loop of metal, which is used by car transports such as tow trucks.

Many people like to use the scupper holes to tie the boat to the car. This helps prevent the boat from sliding back and forth or the tie-down rope from slipping off the boat. [This is an acceptable method for tying the boat down for transport.]

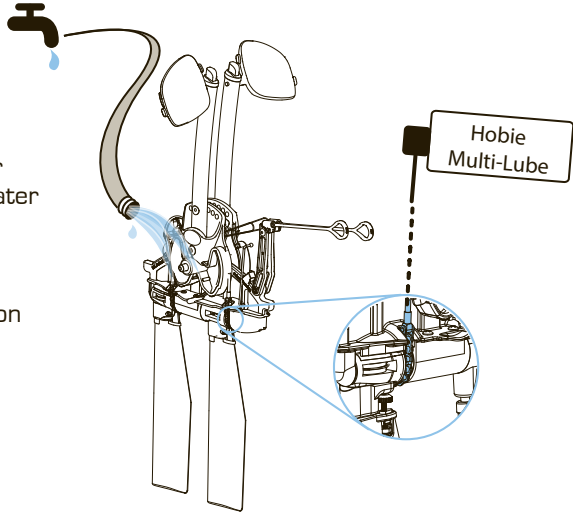


### Pro Angler Roof Topping Technique

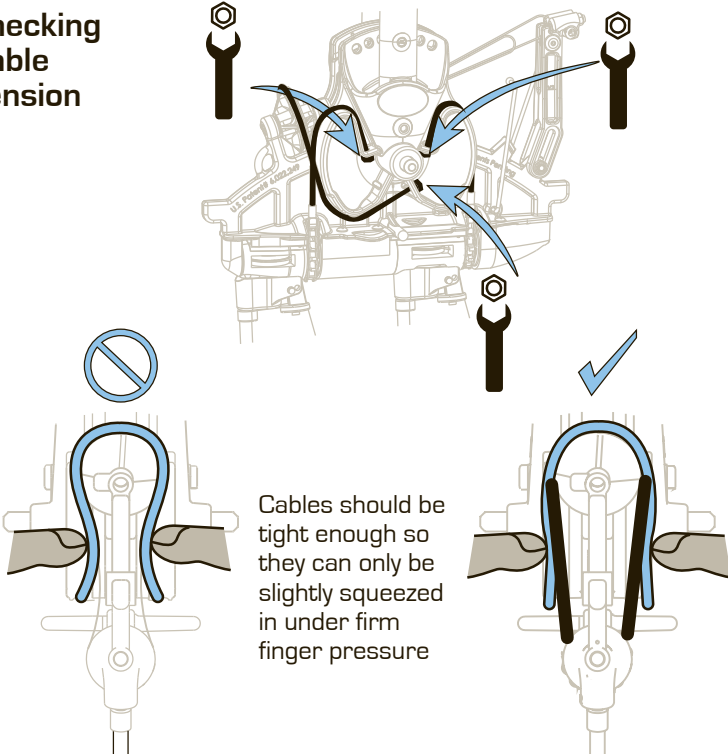


## MirageDrive Regular Maintenance

The most effective maintenance tool on your MirageDrive is a fresh water rinse after every use. Periodically apply Hobie Multi-Lube on the chains will help keep the operation smooth.



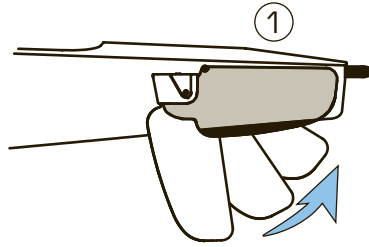
### Checking Cable Tension



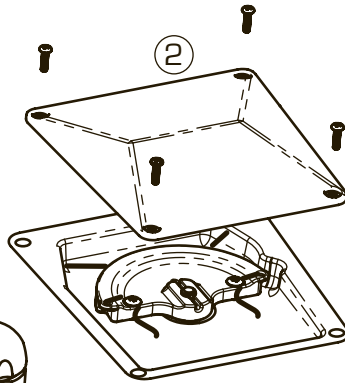
Visit the support section at [hobie.com](http://hobie.com) for information on the MirageDrive.

## Rudder Tuning

- ①  
Pull up rudder

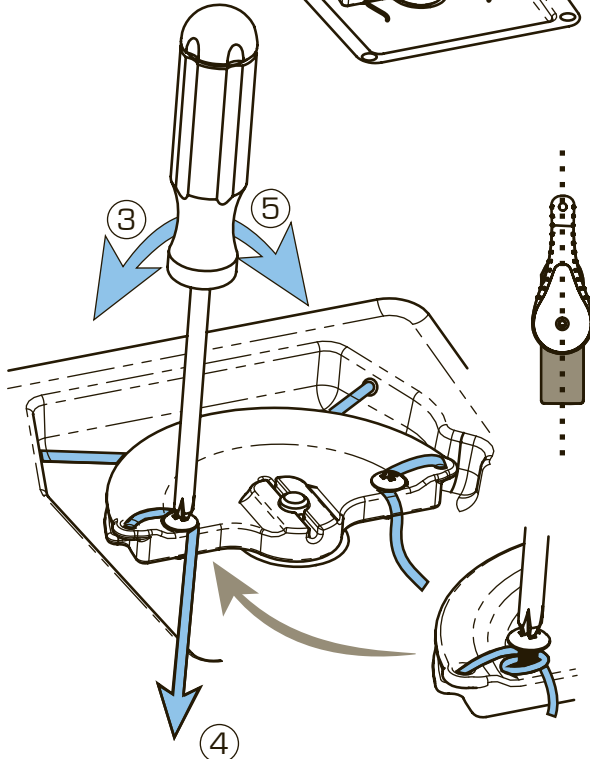


- ②  
Remove rudder cover



- ③  
Loosen screw clamping the rudder line.

- ④  
Pull the slack out of the rudder line making sure the steering handles are still straight. If they are not straight, adjust the lines accordingly.

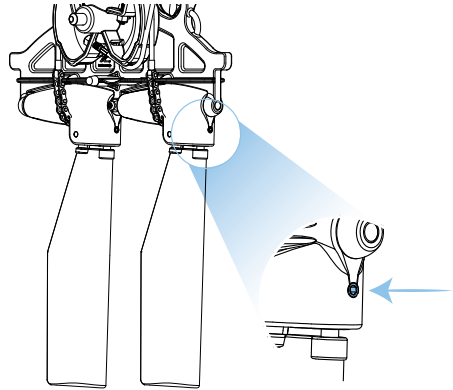


- ⑤  
Tighten the screw to clamp the line and hold it in place. Replace rudder cover

If the fins do not stay locked into position and feel loose, you'll need to adjust the kick-up set screw.

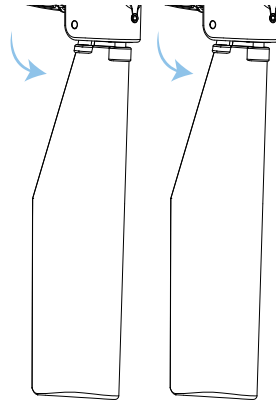
①

The set screw is located in the housing at the base of the fin.



②

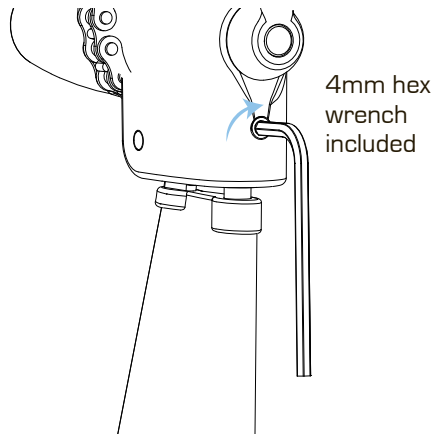
Make sure that the fin is completely engaged into the sprocket.



③

Tighten the screw 1/4 turn at a time until the set screw just touches the fin.

Test the fin by moving it in and out of the kick-up position to determine if it needs to be tightened or loosened.





## Checklist

Please read through the owner's information package prior to using this product.

The user of this product acknowledges both an understanding and assumption of risk involved in paddle/pedal sports. Consult your physician about physical activity.

### Always:

- Wear a Coast Guard approved personal flotation device
- Always file a float plan: Let someone know where you are going and when you will return.
- Dress appropriately for weather conditions; cold water and/or weather can result in hypothermia; apply sunscreen and other sun protective clothing.
- Check your equipment prior to each use for signs of wear or failure
- Tie a leash to your paddle and MirageDrive
- Scout unfamiliar waters prior to launching
- Be aware of river water levels, tidal changes, wind conditions, obstacles in and above the water and weather changes
- Always make sure your hatches are secure
- Carry a pump and/or bailing device
- Always carry the paddle provided with the boat

### Never:

- Never go in flooded and/or fast moving water conditions. Hobie kayaks are not designed for fast moving water
- Never exceed your ability and be aware of your limitations
- Never use alcohol or mind-altering drugs prior to or while using this product
- Never open your hatches in unstable water conditions
- Never remove the foam pieces inside the hull. They are installed for structure, additional flotation and safety reasons.

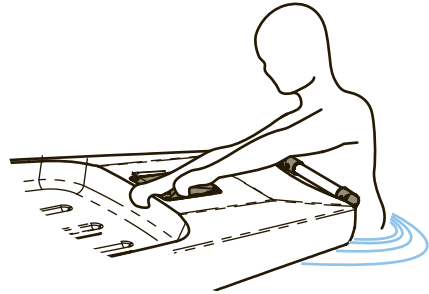
## Shakedown Cruise

As with any new product, it is important that you become familiar with the boat and all its features. Before long trips, it is important to determine that the boat is sound. We recommend that you do what we call a “shakedown cruise” when the boat is new, after shipping or transport, before long trips and after installing any thru-hull fittings. This test is typically done in shallow, calm conditions where you can familiarize yourself with or test the boat before taking long trips into open water. Things you should check or practice are:

- MirageDrive installation, adjustment and removal
- Rudder Operation
- Getting in and out of the boat from a capsized state
- Drain plug locations to make sure they are properly installed
- Closing hatches properly
- Taking the kayak sail down while on the water (if applicable)

## Getting into your Boat

Falling out of your boat is something that rarely happens, but it is important to practice and prepare for this type of situation. We recommend that you try climbing into your boat in a pool or shallow water to improve your technique. We recommend that you enter your boat from the side or back of the boat depending on conditions.



## Mirage Cassette Plug

Your Hobie is shipped with a Mirage Cassette Plug. The plug is provided as standard equipment in the Mirage Kayak package. Insert the plug into the Mirage well when the MirageDrive is removed to provide added safety and to “fair” the bottom of the hull when paddling.



## Kayak Sail Safety

The kayak sail is a very popular optional accessory that works quite well with Hobie Mirage Kayaks. It is important to familiarize yourself with the use of the sail and how wind power affects the stability of the boat. The sail is not recommended for use in wind conditions over 10 MPH/8.7 knots unless you are using the furling kit or stabilizing amas available through the Hobie Parts and Accessories Catalog.

**It is very important that you complete and send us your Warranty Registration Card as soon as possible.**

This information enables Hobie Cat Company to contact you should there be important product information that needs to be shared with you in a timely manner. Please complete the Warranty Registration Card in your Owner's Packet, or take advantage of our online option at:

**<http://www.hobie.com/product-registration>**

or

Scan this QR code with your smart phone



If you have a question or issue with your Hobie product, please see your Authorized Hobie Kayak Dealer. They will assess the problem, assist with a repair and file a warranty claim with Hobie Cat Company if needed. All warranty claims must go through your Authorized Hobie Kayak Dealer. The Warranty Registration Card and Warranty Policies are included with each model in the Owner's Packet. Type in the address below to go to our dealer finder webpage.

All specs, colors, graphics and features are subject to change without notice. Please refer to the website for complete details.

**<http://www.hobie.com/dealers>**

**Livewell XL**



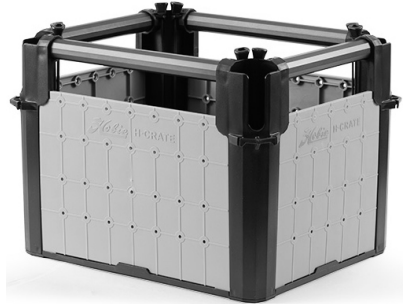
**Kayak Cover**



**Hobie H-bar**



**H-Crate**



**Anchor Trolley Kit**



**Hobie Vantage Seat bag**



**Rod Holder Extension**



**Beach Tire Dolly**



**Hobie Soft Cooler/Fish Bag**



**Tie Down Straps**



**Lowrance Fishfinder**



**Hobie Polarized Sunglasses**



**Hobie Multi-Lube**



**Power-Pole Mirco**



**Kayak Trailer**



**Inflatable PFD**



For more accessories see:  
<http://www.hobie.com/catalogs-brochures/>

**Enjoy the Ride!**





**Hobie Cat Company**

Holding Company

Oceanside, California, USA

1-800-HOBIE-49

**Hobie Cat Australasia**

Subsidiary

Huskisson, New South Wales, Australia

1-800-4-HOBIE

[hobie.com](http://hobie.com)

**Hobie Cat Europe**

Subsidiary

Toulon, France

+33(0)494 08 78 78

**Hobie Kayak Europe**

Independent Distributor

Stellendam, The Netherlands

+31(0)187 499 440

**Hobie Cat Brasil**

Independent Distributor

Porto Belo, Santa Catarina, Brazil

+55 (21) 3942 6815

**HOBIE.COM**

PN 89510

REV 190708