

PACKAGE CONTENTS

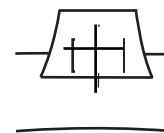
- * 1 PIECE POLE
- * LINES, HALYARD/TACK ETC.
- * SPINNAKER SHEETING LINE AND HARDWARE

TOOLS REQUIRED

- * DRILL MOTOR
- * 3/16 BIT (#11)
- * 1/4-20 Tap (Older Models with step Casting)
- * RIVET GUN

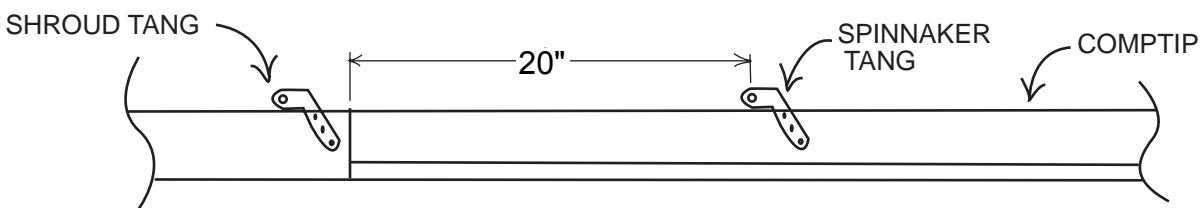
INSTRUCTIONS

- 1) Position x-bar/pole attachment fitting on front of mast step in center
Measure up from bottom edge of step 1". Drill with 3/16 bit and Tap with 1/4-20. Thread screw (through yoke fitting and washer) into mast step. Current model ('97 and newer) Waves with Step post and ball configuration require mounting the attachment a a lower level and directly into the cross bar. Drill, and rivet attachment hardware with a washer between the filling and the rivet head.



- 3) Support pole at bridles with shock cord hooked to bridle shackle.
- 4) Pin pole end to x-bar fitting.
- 5) Attach pole bridles to bow tang fittings. Pull boots down over attachments until locked on swedge fitting to prevent boots from slipping up wire while in use. Tension shockcord to support pole.

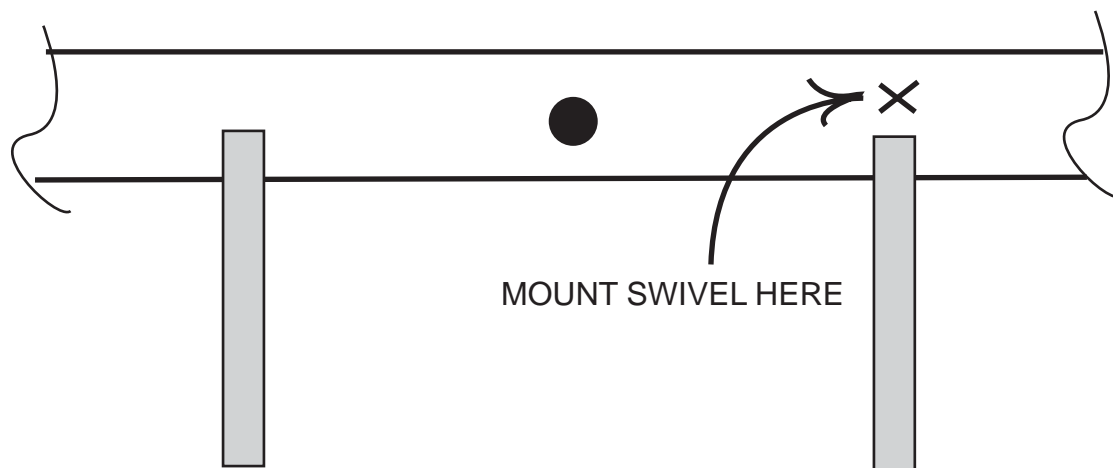
- 1) Position and rivet halyard tangs as shown...



- 2) Rivet with 6-6 rivets w/ caps and silicone.
- 4) Hang swivel block from spinnaker tang.
- 5) Run halyard line through block. Lead both ends to mast base and tie off.
- 6) Step mast.

HALYARD CLEAT

- 1) Position swivel cleat and mounting plate on starboard side of front crossbar inline with hiking strap.

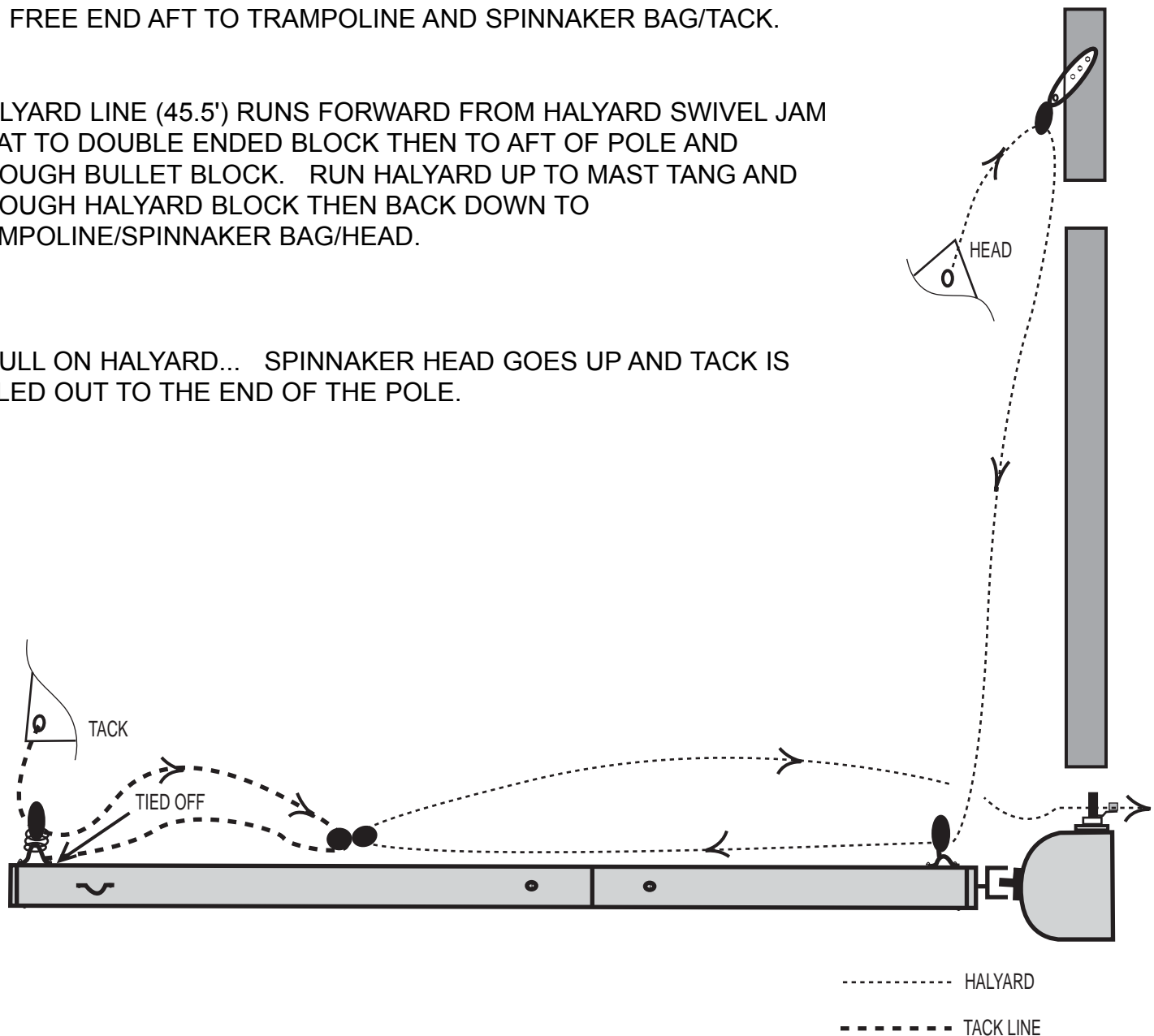


- 2) Fasten swivel cleat with fasteners supplied.

* TACK LINE (9') TIES TO FORWARD EYE STRAP, RUNS AFT TO DOUBLE ENDED BLOCK, FORWARD TO BULLET BLOCK ON SPRING. RUN FREE END AFT TO TRAMPOLINE AND SPINNAKER BAG/TACK.

* HALYARD LINE (45.5') RUNS FORWARD FROM HALYARD SWIVEL JAM CLEAT TO DOUBLE ENDED BLOCK THEN TO AFT OF POLE AND THROUGH BULLET BLOCK. RUN HALYARD UP TO MAST TANG AND THROUGH HALYARD BLOCK THEN BACK DOWN TO TRAMPOLINE/SPINNAKER BAG/HEAD.

** PULL ON HALYARD... SPINNAKER HEAD GOES UP AND TACK IS PULLED OUT TO THE END OF THE POLE.



NOTE: BE SURE DOUBLE ENDED BLOCK CAN RUN FREELY, FORE AND AFT ALONG POLE. RUN TO STARBOARD OF BUNGEE SUPPORT.

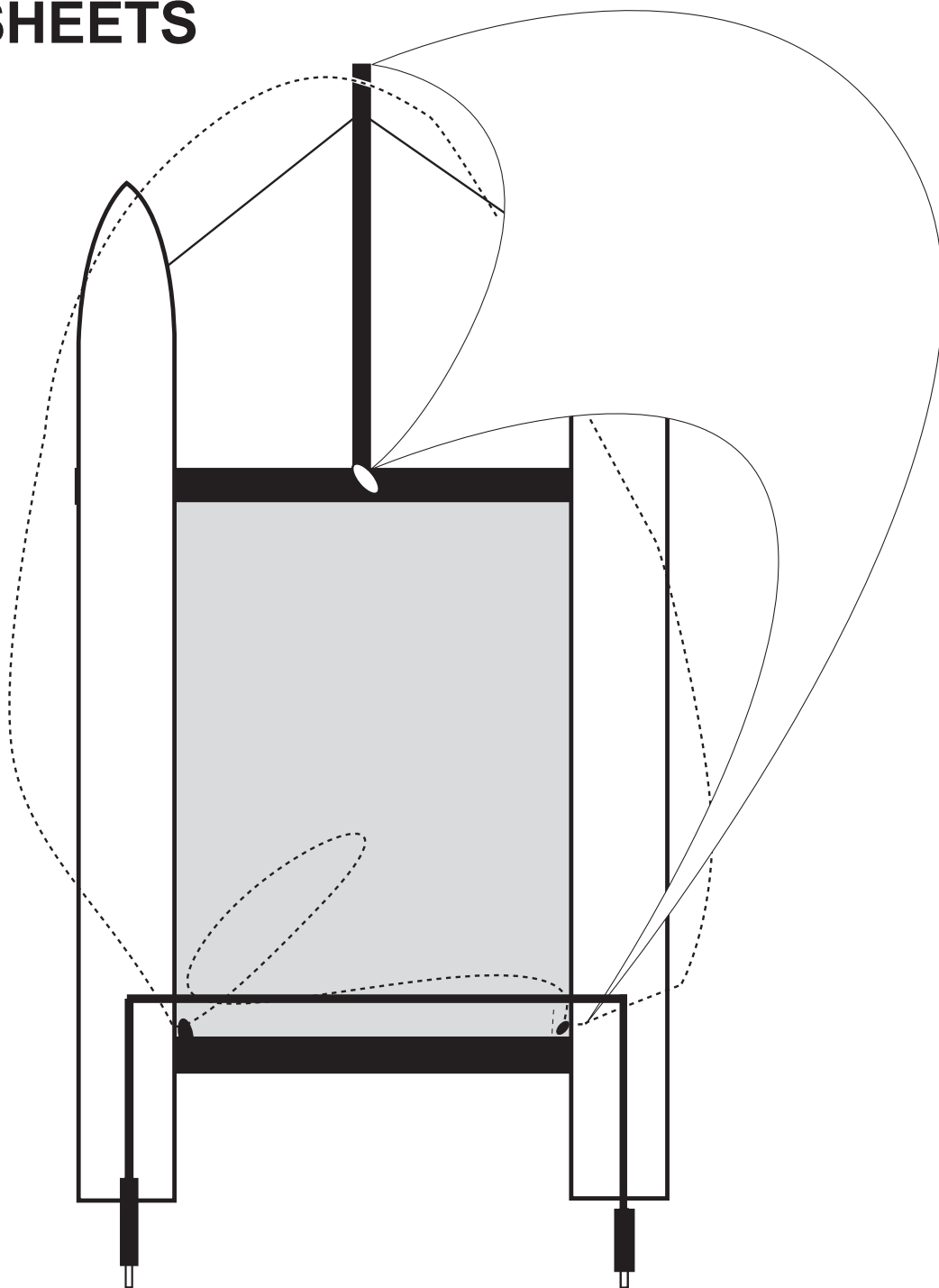
SPINNAKER SHEETS

Spinnaker sheets run in continuous circle around boat. Start at spinnaker clew and tie with bowline knot. Run sheet through spinnaker block at rear corner of boat. Run sheet across trampoline and through opposite spinnaker block. Lead sheet forward and outside of shroud and in front of forestay. Lead over top of spinnaker pole then aft outboard of shroud. Tie off to clew with bowline

Tack line should lead back to trampoline over top of sheet before launching.

Launching

Spinnaker launches and retrieves between mast and either shroud with all lines feeding forward towards bow. Launch spinnaker on downwind side of boat.



ATTACH SPINNAKER SHEET TURNING BLOCKS TO REAR TRAMPOLINE EYE STRAP FITTINGS ON REAR CROSS BAR. RUN SHEET LINES AS SHOWN ABOVE.